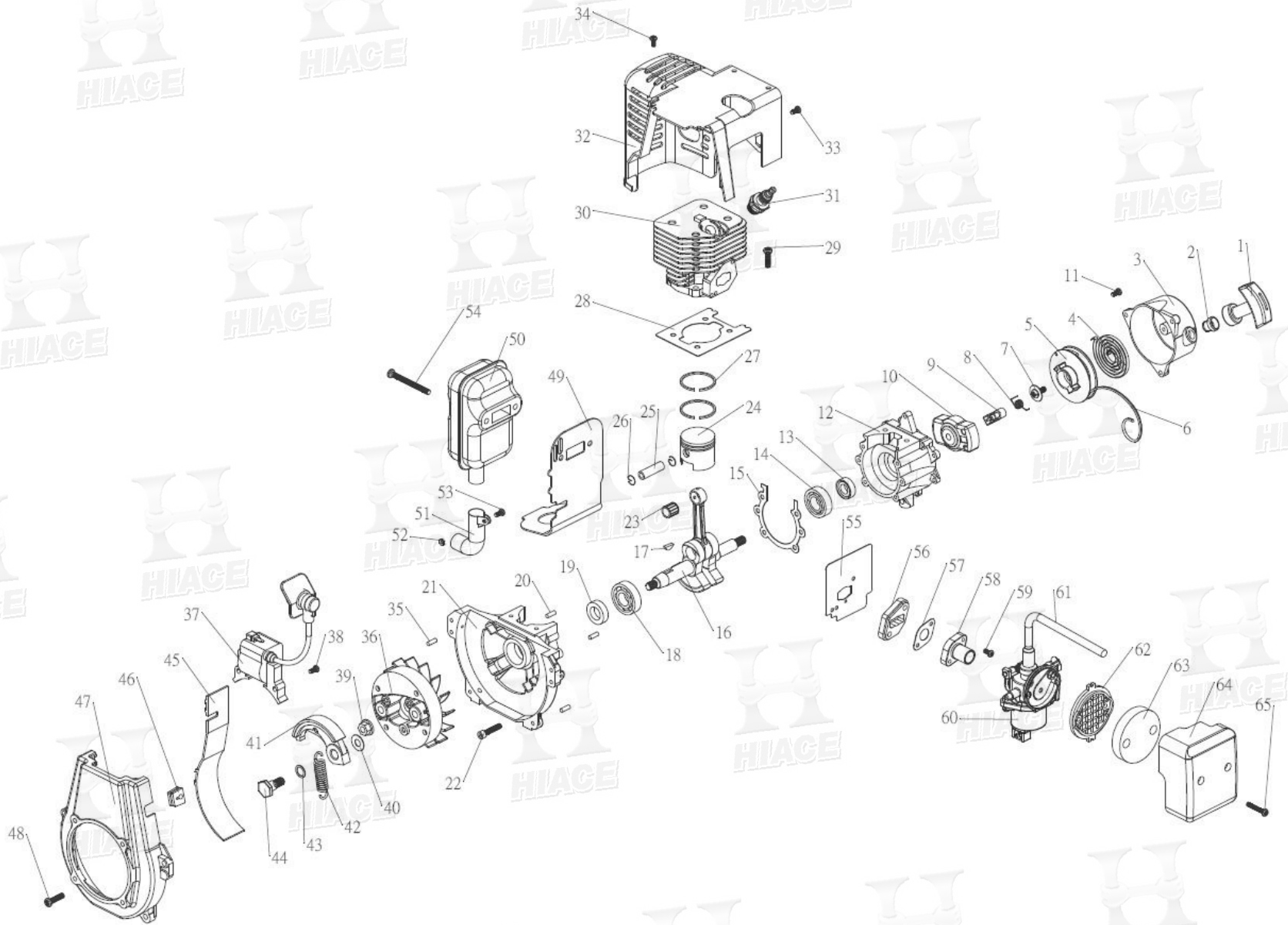




PARTS INFORMATION

HT-328

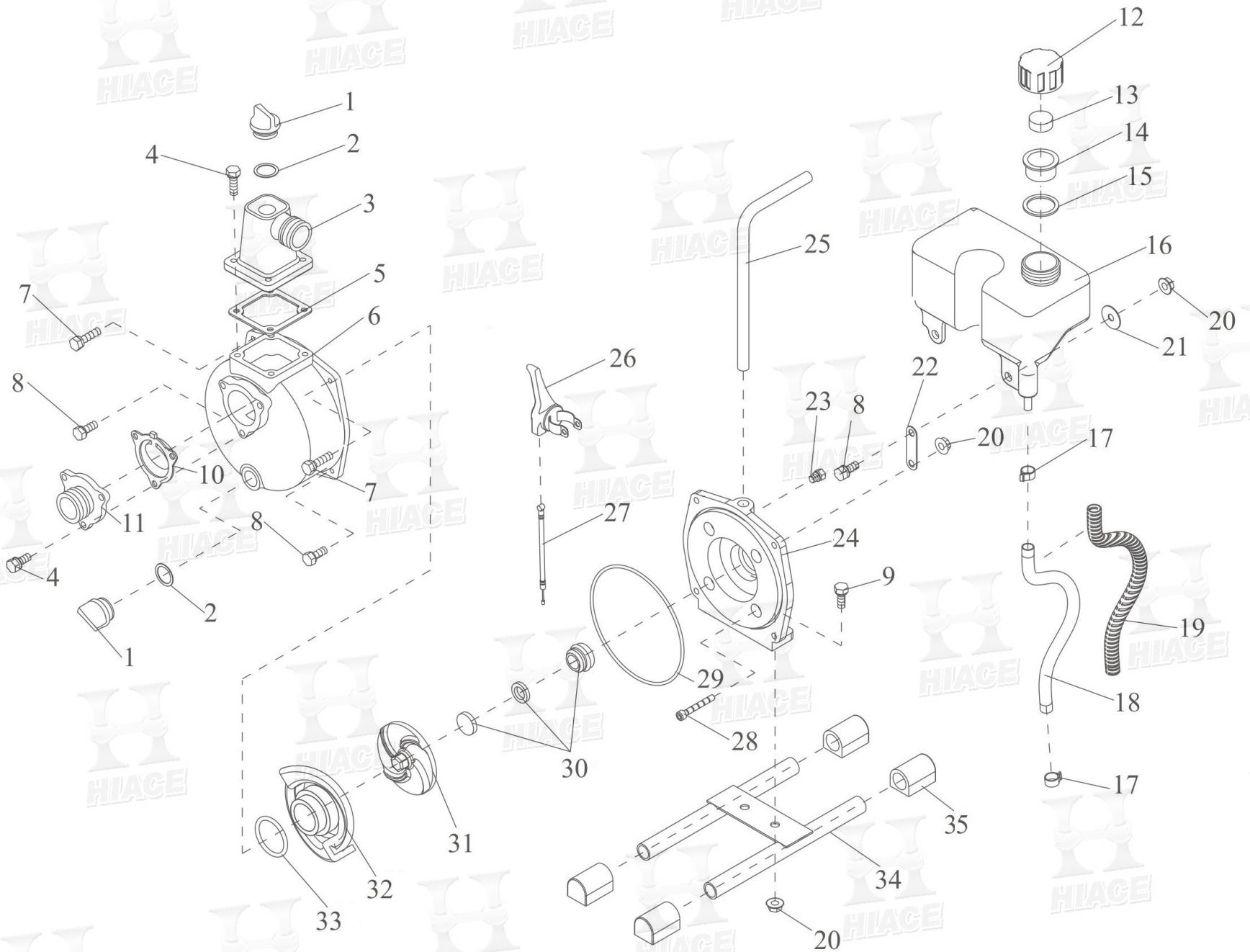


Item	Part No.	Description	QTY.	Item	Part No.	Description	QTY.	Item	Part No.	Description	QTY.
1	HT-328-001	Starter Handle	1	31	HT-328-031	Spark Plug	1	61	HT-328-061	Throttle Wire	1
2	HT-328-002	Insulator	1	32	HT-328-032	Cylinder Protector	1	62	HT-328-062	Cleaner Body	1
3	HT-328-003	Recoil Starter Body	1	33	HT-328-033	Screw		63	HT-328-063	Cleaner Sponge	1
4	HT-328-004	Recoil Spring	1	34	HT-328-034	Screw		64	HT-328-064	Cleaner Cap	1
5	HT-328-005	Starter Rope Reel	1	35	HT-328-035	4*11.8 Pin	2	65	HT-328-065	Screw	
6	HT-328-006	Starter Rope	1	36	HT-328-036	Magneto Rotor	1				
7	HT-328-007	Starter Screw	1	37	HT-328-037	Ignition Coil	1				
8	HT-328-008	Starter Pawl Spring	1	38	HT-328-038	Screw					
9	HT-328-009	Starter Pawl	1	39	HT-328-039	M8 Nut	1				
10	HT-328-010	Starter Pulley	1	40	HT-328-040	M8 Washer	1				
11	HT-328-011	Screw	3	41	HT-328-041	Clutch Arm Comp.	2				
12	HT-328-012	Crank Case (B)	1	42	HT-328-042	Clutch Spring	1				
13	HT-328-013	12 22 7 Oil Seal	1	43	HT-328-043	Washer	2				
14	HT-328-014	Ball Bearing 6002 C3	1	44	HT-328-044	Clutch Step Bolt	2				
15	HT-328-015	Crank Case Gasket	1	45	HT-328-045	Flash Pan	1				
16	HT-328-016	Crank Shaft	1	46	HT-328-046	Clamp, Coil	1				
17	HT-328-017	Wood-Ruff Key	1	47	HT-328-047	Fan Case	1				
18	HT-328-018	Ball Bearing 6202 C3	1	48	HT-328-048	Screw					
19	HT-328-019	15 25 7 Oil Seal	1	49	HT-328-049	Muffler Gasket	1				
20	HT-328-020	4*11.8 Pin	2	50	HT-328-050	Muffler	1				
21	HT-328-021	Crank Case (A)	1	51	HT-328-051						
22	HT-328-022	Screw		52	HT-328-052						
23	HT-328-023	Needle Bearing	1	53	HT-328-053						
24	HT-328-024	Piston	1	54	HT-328-054	Muffler Screw	2				
25	HT-328-025			55	HT-328-055	Space Gasket	1				
26	HT-328-026			56	HT-328-056	Space	1				
27	HT-328-027	Piston Ring	2	57	HT-328-057	Inlet Manifold Gasket	1				
28	HT-328-028	Cylinder Gasket	1	58	HT-328-058	Inlet Manifold	1				
29	HT-328-029	Screw		59	HT-328-059	Screw					
30	HT-328-030	Cylinder	1	60	HT-328-060	Carburetor	1				



PARTS INFORMATION

WATER PUMP-WP



Item	Part No.	Description	QTY.	Item	Part No.	Description	QTY.
1	WP-01	PLUG SET	2	21	WP-21	WASHER	2
2	WP-02	O-RING	2	22	WP-22	STAY	2
3	WP-03	DELIVERY FLANGE	1	23	WP-23	HEXAGON BOLT	1
4	WP-04	HEXAGON BOLT	7	24	WP-24	FLANGE BRACKET	1
5	WP-05	DELIVERY FLANGE PACKING	1	25	WP-25	HANDLE SET	1
6	WP-06	PUMP CASING	1	26	WP-26	THROTTLE LEVER	1
7	WP-07	HEXAGON BOLT	2	27	WP-27	THROTTLE WIRE COMP.	1
8	WP-08	HEXAGON BOLT	4	28	WP-28	HEXAGON SOCKETBOLT AND SEAL WASHER	4
9	WP-09	HEXAGON BOLT	2	29	WP-29	O-RING	1
10	WP-10	CHECK VALVE	1	30	WP-30	MECHANICAL SEAL	1
11	WP-11	SUCTION FLANGE	1	31	WP-31	IMPELLER	1
12	WP-12	CAP	1	32	WP-32	VOLUTE CASING	1
13	WP-13	SPONGE	1	33	WP-33	O-RING	1
14	WP-14	INNER CAP	1	34	WP-34	H BASE	1
15	WP-15	O-RING	1	35	WP-35	RUBBER MAT	4
16	WP-16	FUEL TANK	1				
17	WP-17	CLIP	2				
18	WP-18	OIL PIPE	1				
19	WP-19	OIL PIPE PROTECTIVE COIL	1				
20	WP-20	FLANGE NUT	6				