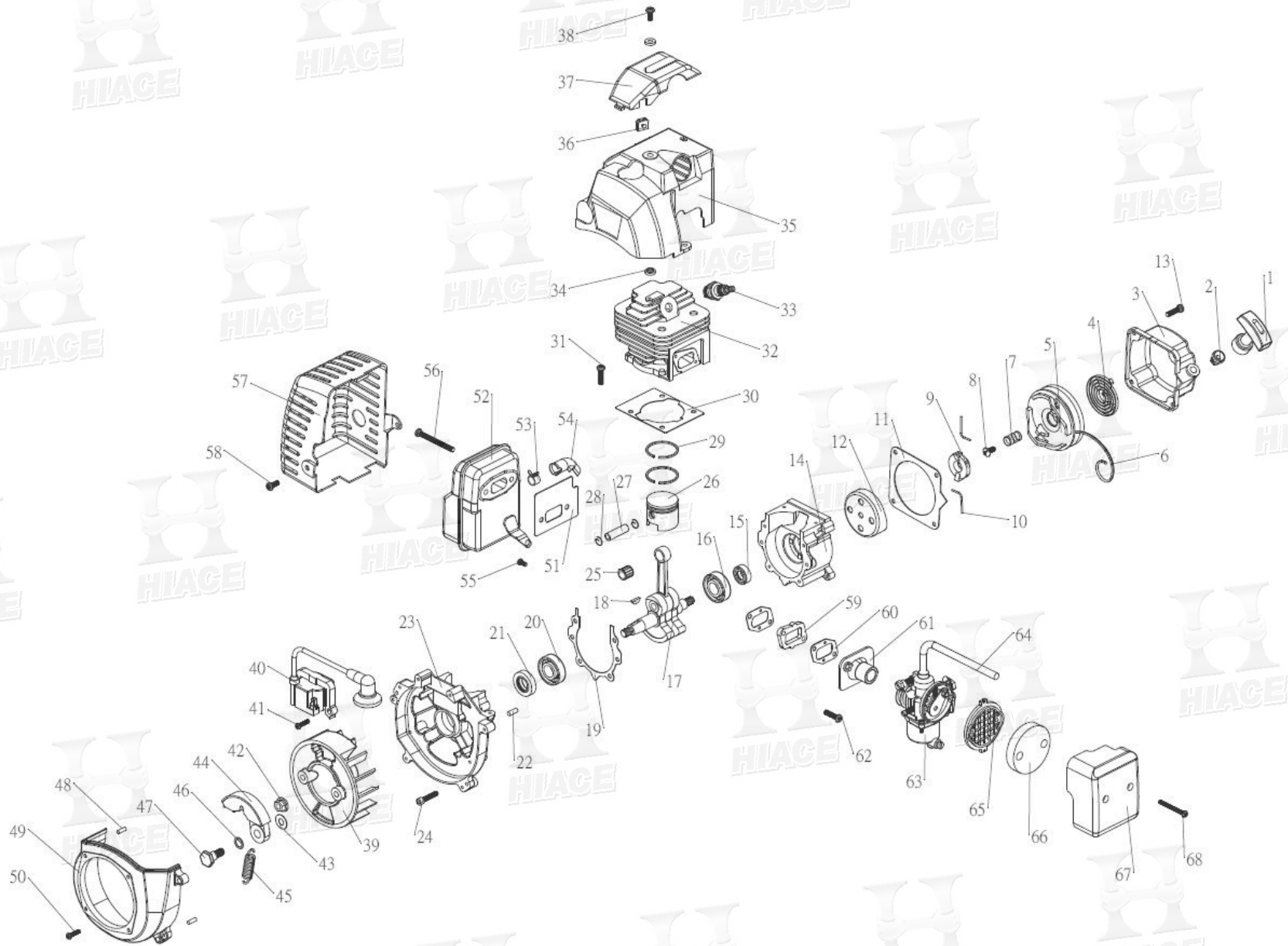




# PARTS INFORMATION

## TL-43

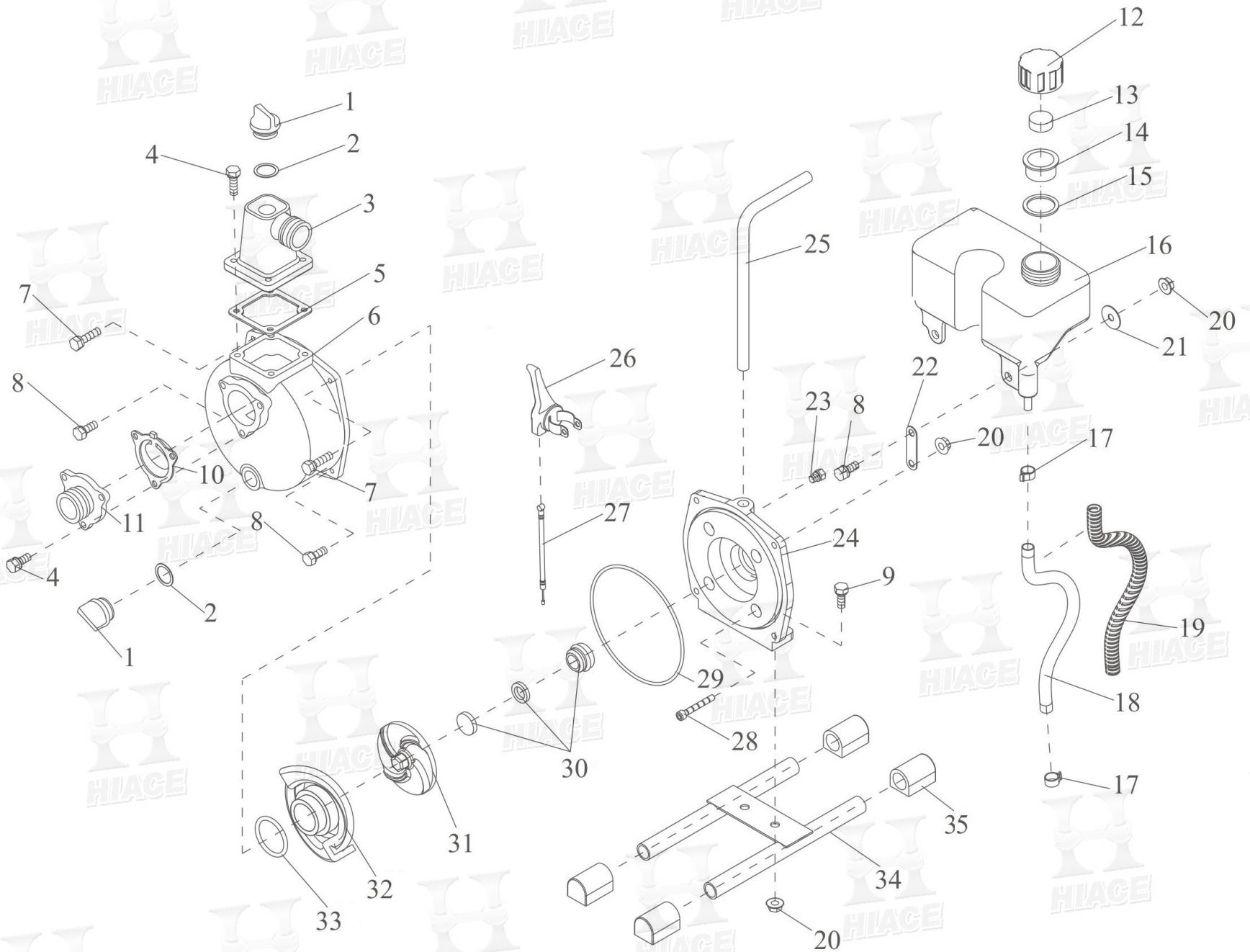


Item	Part No.	Description	QTY.	Item	Part No.	Description	QTY.	Item	Part No.	Description	QTY.	
1	TL-43-001	Starter Handle	1	31	TL-43-031	Screw	4	61	TL-43-061	Inlet Manifold	1	
2	TL-43-002	Insulator	1	32	TL-43-032	Cylinder	1	62	TL-43-062	Screw	2	
3	TL-43-003	Recoil Starter Body	1	33	TL-43-033	Spark Plug	1	63	TL-43-063	Carburetor	1	
4	TL-43-004	Recoil Spring	1	34	TL-43-034	Space	2	64	TL-43-064	Throttle Wire	1	
5	TL-43-005	Starter Rope Reel	1	35	TL-43-035	Cylinder Protector	1	65	TL-44-065	Cleaner Body	1	
6	TL-43-006	Starter Rope	1	36	TL-43-036	Clamp, Coil	1	66	TL-43-066	Sponge	1	
7	TL-43-007	Starter Pawl	1	37	TL-43-037	Cylinder Protector Cap	1	67	TL-43-067	Cleaner Cap	1	
8	TL-43-008	Starter Screw	1	38	TL-43-038	Screw	1	68	TL-43-068	Screw	2	
9	TL-43-009	Pawl Holder	1	39	TL-43-039	Magneto Rotor	1					
10	TL-43-010	Clip	2	40	TL-43-040	Ignition Coil	1					
11	TL-43-011	Starter Gasket	1	41	TL-43-041	Screw	2					
12	TL-43-012	Starter Pulley	1	42	TL-43-042	Nut	1					
13	TL-43-013	Screw	4	43	TL-43-043	Washer	2					
14	TL-43-014	Crank Case (B)	1	44	TL-43-044	Clutch Arm Comp.	2					
15	TL-43-015	12 22 7 Oil Seal	1	45	TL-43-045	Clutch Spring	1					
16	TL-43-016	Bearing 6202 C3	1	46	TL-43-046	10MM Wavy Washer	2					
17	TL-43-017	Crank Shaft	1	47	TL-43-047	Clutch Step Bolt	2					
18	TL-43-018	Wood-Ruff Key	1	48	TL-43-048	Pin	2					
19	TL-43-019	Crank Case Gasket	1	49	TL-43-049	Fan Case	1					
20	TL-43-020	Ball Bearing 6202 C3	1	50	TL-43-050	Screw	3					
21	TL-43-021	Oil Seal 15 30 7	1	51	TL-43-051	Muffler Gasket	1					
22	TL-43-022	Pin	2	52	TL-43-052	Muffler	1					
23	TL-43-023	Crank Case (A)	1	53	TL-43-053							
24	TL-43-024	Screw	4	54	TL-43-054							
25	TL-43-025	Needle Bearing	1	55	TL-43-055	Screw	1					
26	TL-43-026	Piston	1	56	TL-43-056	Screw	2					
27	TL-43-027			57	TL-43-057	Muffler Protector	1					
28	TL-43-028			58	TL-43-058	Screw	1					
29	TL-43-029	Piston Ring	2	59	TL-43-059	Space	1					
30	TL-43-030	Cylinder Gasket	1	60	TL-43-060	Inlet Manifold Gasket	2					



# PARTS INFORMATION

## WATER PUMP-WP



Item	Part No.	Description	QTY.	Item	Part No.	Description	QTY.
1	WP-01	PLUG SET	2	21	WP-21	WASHER	2
2	WP-02	O-RING	2	22	WP-22	STAY	2
3	WP-03	DELIVERY FLANGE	1	23	WP-23	HEXAGON BOLT	1
4	WP-04	HEXAGON BOLT	7	24	WP-24	FLANGE BRACKET	1
5	WP-05	DELIVERY FLANGE PACKING	1	25	WP-25	HANDLE SET	1
6	WP-06	PUMP CASING	1	26	WP-26	THROTTLE LEVER	1
7	WP-07	HEXAGON BOLT	2	27	WP-27	THROTTLE WIRE COMP.	1
8	WP-08	HEXAGON BOLT	4	28	WP-28	HEXAGON SOCKETBOLT AND SEAL WASHER	4
9	WP-09	HEXAGON BOLT	2	29	WP-29	O-RING	1
10	WP-10	CHECK VALVE	1	30	WP-30	MECHANICAL SEAL	1
11	WP-11	SUCTION FLANGE	1	31	WP-31	IMPELLER	1
12	WP-12	CAP	1	32	WP-32	VOLUTE CASING	1
13	WP-13	SPONGE	1	33	WP-33	O-RING	1
14	WP-14	INNER CAP	1	34	WP-34	H BASE	1
15	WP-15	O-RING	1	35	WP-35	RUBBER MAT	4
16	WP-16	FUEL TANK	1				
17	WP-17	CLIP	2				
18	WP-18	OIL PIPE	1				
19	WP-19	OIL PIPE PROTECTIVE COIL	1				
20	WP-20	FLANGE NUT	6				