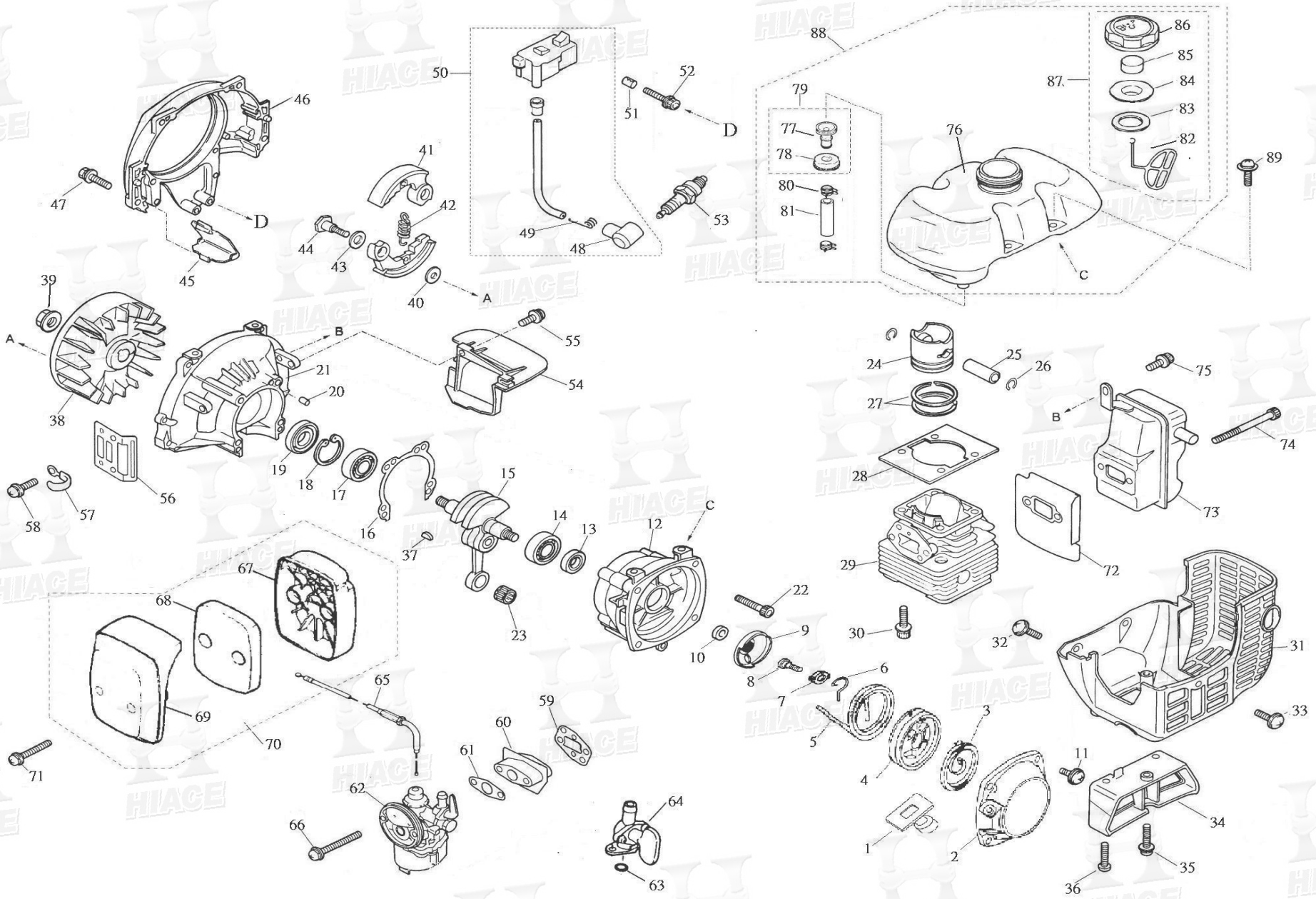




PARTS INFORMATION

G-45L



| Item | Part No. | Description | QTY. | Item | Part No. | Description | QTY. | Item | Part No. | Description | QTY. |
|------|-----------|----------------------|------|------|-----------|---------------------|------|------|-----------|--------------------|------|
| 1 | G-45L-001 | Starter Handle | 1 | 31 | G-45L-031 | Engine Cover | 1 | 61 | G-45L-061 | Carburetor Gasket | 1 |
| 2 | G-45L-002 | Recoil Starter Body | 1 | 32 | G-45L-032 | Screw | 2 | 62 | G-45L-062 | Carburetor | 1 |
| 3 | G-45L-003 | Recoil Spring | 1 | 33 | G-45L-033 | Screw | 1 | 63 | G-45L-063 | O-Ring | 1 |
| 4 | G-45L-004 | Starter Rope Reel | 1 | 34 | G-45L-034 | Stand | 1 | 64 | G-45L-064 | Fuel Cock Ass'y | 1 |
| 5 | G-45L-005 | Starter Rope | 1 | 35 | G-45L-035 | Screw | 1 | 65 | G-45L-065 | Cable Line | 1 |
| 6 | G-45L-006 | Swing Arm | 1 | 36 | G-45L-036 | Screw | 2 | 66 | G-45L-066 | Screw | 2 |
| 7 | G-45L-007 | Collar | 1 | 37 | G-45L-037 | Wood-Ruff Key | 1 | 67 | G-45L-067 | Air Cleaner Body | 1 |
| 8 | G-45L-008 | Starter Screw | 1 | 38 | G-45L-038 | Magneto Rotor | 1 | 68 | G-45L-068 | Air Cleaner Sponge | 1 |
| 9 | G-45L-009 | Starter Pulley | 1 | 39 | G-45L-039 | Nut M8 | 1 | 69 | G-45L-069 | Air Cleaner Cover | 1 |
| 10 | G-45L-010 | Collar | 1 | 40 | G-45L-040 | Washer | 2 | 70 | G-45L-070 | Air Cleaner Ass'y | 1 |
| 11 | G-45L-011 | Screw | 4 | 41 | G-45L-041 | Clutch Shoe | 2 | 71 | G-45L-071 | Screw | 2 |
| 12 | G-45L-012 | Crank Case (B) | 1 | 42 | G-45L-042 | Clutch Spring | 1 | 72 | G-45L-072 | Muffler Gasket | 1 |
| 13 | G-45L-013 | Oil Seal | 1 | 43 | G-45L-043 | Wavy Washer | 2 | 73 | G-45L-073 | Muffler | 1 |
| 14 | G-45L-014 | 6201 C3 Ball Bearing | 1 | 44 | G-45L-044 | Clutch Step Bolt | 2 | 74 | G-45L-074 | Screw | 2 |
| 15 | G-45L-015 | Crank Shaft | 1 | 45 | G-45L-045 | Plate | 1 | 75 | G-45L-075 | Screw | 1 |
| 16 | G-45L-016 | Crank Case Gasket | 1 | 46 | G-45L-046 | Fan Case | 1 | 76 | G-45L-076 | Fuel Tank | 1 |
| 17 | G-45L-017 | 6201 C3 Ball Bearing | 1 | 47 | G-45L-047 | Screw | 4 | 77 | G-45L-077 | Fuel Filter1 | 1 |
| 18 | G-45L-018 | Snap Ring | 1 | 48 | G-45L-048 | Spark Plug Cap | 1 | 78 | G-45L-078 | Hose Seat | 1 |
| 19 | G-45L-019 | Oil Seal | 1 | 49 | G-45L-049 | Spark Plug Spring | 1 | 79 | G-45L-079 | Fuel Filter Ass'y | 1 |
| 20 | G-45L-020 | Pin | 2 | 50 | G-45L-050 | Ignition Coil | 1 | 80 | G-45L-080 | Clip | 2 |
| 21 | G-45L-021 | Crank Case (A) | 1 | 51 | G-45L-051 | Pin | 2 | 81 | G-45L-081 | Fuel Tube | 1 |
| 22 | G-45L-022 | Screw | 4 | 52 | G-45L-052 | Screw | 2 | 82 | G-45L-082 | Fuel Cap Stopper | 1 |
| 23 | G-45L-023 | Needle Bearing | 1 | 53 | G-45L-053 | Spark Plug | 1 | 83 | G-45L-083 | Cap Inner Packing | 1 |
| 24 | G-45L-024 | Piston Ass'y | 1 | 54 | G-45L-054 | Muffler Protector | 1 | 84 | G-45L-084 | Cap Inner | 1 |
| 25 | G-45L-025 | | 1 | 55 | G-45L-055 | Screw | 1 | 85 | G-45L-085 | Cap Sponge | 1 |
| 26 | G-45L-026 | | 2 | 56 | G-45L-056 | Clip for Crank Case | 1 | 86 | G-45L-086 | Tank Cap | 1 |
| 27 | G-45L-027 | Piston Ring (Set) | 2 | 57 | G-45L-057 | Clamp | 1 | 87 | G-45L-087 | Tank Cap Ass'y | 1 |
| 28 | G-45L-028 | Cylinder Gasket | 1 | 58 | G-45L-058 | Screw | 1 | 88 | G-45L-088 | Tank Ass'y | 1 |
| 29 | G-45L-029 | Cylinder | 1 | 59 | G-45L-059 | Insulator Gasket | 1 | 89 | G-45L-089 | Screw | 4 |
| 30 | G-45L-030 | Screw | 4 | 60 | G-45L-060 | Insulator | 1 | | | | |