

穩定的動力輸出，合適的減速配比，  
因應需求的鑽頭，最佳的工作效率。

Stable Power Output , Suitable Reduction Gear Ratio ,  
Varied Bits in Wide Purpose Range , Best Working Efficiency.



鑽孔機  
Earth Auger

## ■ 鑽孔機 EARTH AUGER

鑽孔機，一般用於藤蔓植物、植物、裝設溫室支柱或籬笆等鑽孔作業，也可用來鑽孔後施加有機肥並重新掩埋以減少異味和植栽因地表施肥造成根部過淺而無法承受強風或豪雨。

機器具備可面對最惡劣條件及任何操作地點的優良機械強度。提供兩種機型供小直徑或大直徑鑽頭使用，可依作業困難度及土壤硬度而選擇合適機種。供應各式規格鑽尾搭配鎢鋼刀片，提供最大應用適應性。

Ideal for sinking holes to receive vines and plants in general, greenhouse poles or fence uprights. HIACE Earth Augers are also suitable for sinking holes in applying organic fertilizer and recovering it to prevent peculiar smell, or shallow root plant damaged by strong breeze and torrential rain because of applying fertilizer on the ground surface. Machines characterized by superior mechanical strength under the most hostile of conditions and in all operating positions. Available in 2 versions for small drill bit operation, and for big drill bit operation where dictated by job difficulty and soil hardness. Numerous bits options with wolfram steel flight for maximum flexibility of application.



- ※鋼製曲軸和搭配雙活塞環的活塞，有效延長使用壽命。  
Steel crankshaft and piston with two rings guarantee prolonged service life.
- ※足夠的硬鉻鍍層提供幾乎不磨損的汽缸，持續提供充足的動力。  
Enough Chrome Coating thickness of Cylinder ensures the excellent abrasion resistance, and keeps offering sufficient power.
- ※採用吸式化油器，在任何姿勢下操作機器都不會漏油。  
Diaphragm carburetor allows the machine to operate in any position without leakage of fuel.
- ※因應各種領域(包含藤蔓植物、植物、裝設街燈或溫室支柱等)的鑽小孔作業，AGV-280機型採用HIACE二行程引擎，另外1:28的轉速比可提供較快的轉速搭配直徑較小的鑽頭，以增加工作效率。  
Designed to drill small holes in every sector (vines and plants, street lighting, fence posts), model AGV-280 mounts an HIACE 2-stroke engine, and the reduction gear ratio 1:28 offer higher operating speed for small bit to increase working efficiency.
- ※此外，AGH-350機型，為因應在堅硬的地面上處理較大孔徑，而設計之專業級單人操作機型，即使鑽頭因碰觸到石頭而打滑也能輕易控制機台，安全且使用簡易。  
On the other hand, the professional model AGH-350 requires the presence of one operator and is designed to handle larger holes on more obstinate ground. Even the machine slips or shakes because the bit hit the stone during sink the hole. Safe and easy use.
- ※單人操作機型，附有符合人體工學的提把，提供最大舒適度。  
One-man operated models have an ergonomically designed handle for optimum comfort.
- ※利用固定梢安裝鑽尾，安裝或替換容易，完全不費時間  
Quick-fit pinned spigot-socket coupler for swift attachment and replacement of bits.
- ※供應各式規格鑽尾，提供最大應用用途。  
Generous range of bits, adapters and extensions for maximum versatility of use.

## ■ 鑽孔機 EARTH AUGER

### AGV-280 VERTICAL EARTH AUGER 直式鑽孔機



型號	Model	AGV-280-358L	AGV-280-TB43L
傳動形式	Transmission Type	直式 / Vertical	
減速比	Reduction Ratio	28:1	
引擎型號	Engine Model	HT-358LT	TB-43LT
排氣量/功率	Displacement/Power	34c.c. / 1.9HP	42.7c.c. / 2.1HP
油箱容量	Fuel Tank Capacity	1公升 / Liter	
適用鑽尾	Fitting Bit Dia.	Φ50~Φ100mm	Φ50~Φ150mm

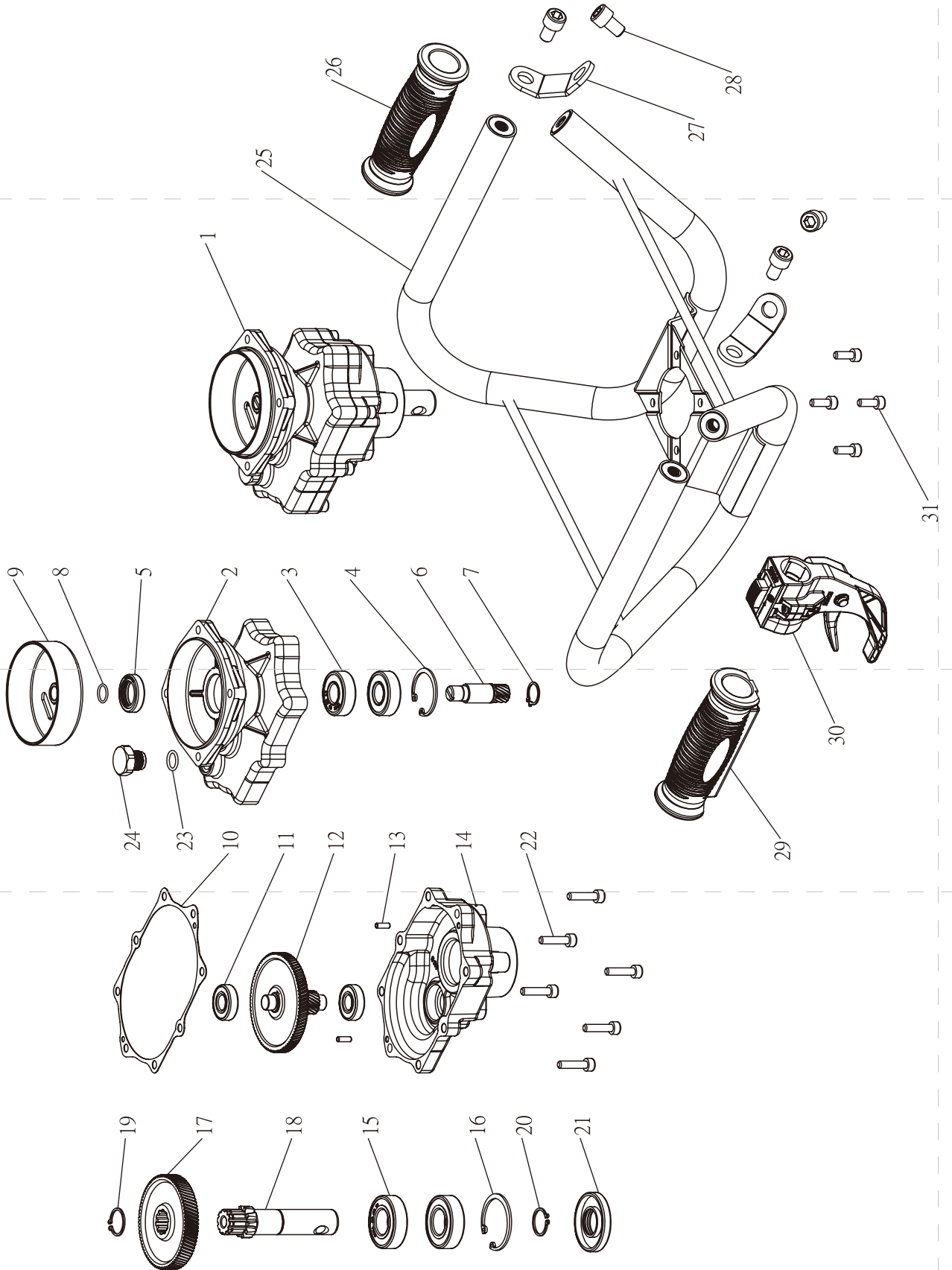
### AGH-350 HORIZONTAL EARTH AUGER 橫式鑽孔機



型號	Model	AGH-350-TB43L	AGH-350-TB52L
傳動形式	Transmission Type	橫式 / Horizontal	
減速比	Reduction Ratio	35:1	
引擎型號	Engine Model	TB-43LT	TB-52LT
排氣量/功率	Displacement/Power	42.7c.c. / 2.1HP	51.7c.c. / 2.3HP
油箱容量	Fuel Tank Capacity	1公升 / Liter	
適用鑽尾	Fitting Bit Dia.	Φ100~Φ250mm	Φ150~Φ300mm

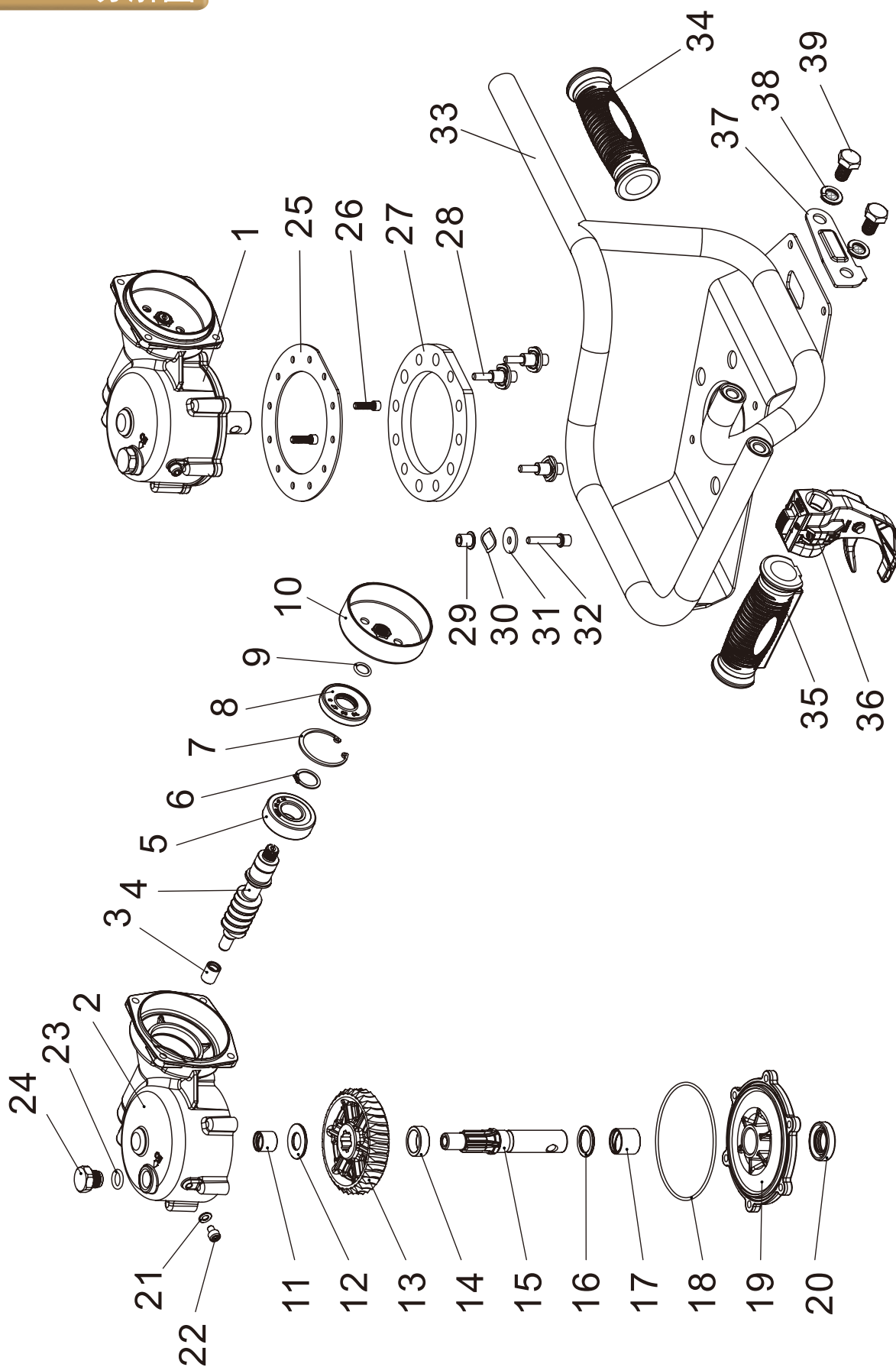
# 鑽孔機分解圖 PART LIST OF EARTH AUGER

## AGV-280 分解圖




■ 鑽孔機分解圖 PART LIST OF EARTH AUGER

AGH-350 分解圖



## ■ 鑽孔機配件 ACCESSORIES OF EARTH AUGER

鑽尾 Drill Bit	規格 Specification
	Φ50mm * L 80cm * Drill Bit
	Φ60mm * L 80cm * Drill Bit
	Φ80mm * L 80cm * Drill Bit
	Φ100mm * L 80cm * Drill Bit
	Φ120mm * L 80cm * Drill Bit
	Φ150mm * L 80cm * Drill Bit
	Φ200mm * L 80cm * Drill Bit
	Φ250mm * L 80cm * Drill Bit
	Φ300mm * L 80cm * Drill Bit

延長管 EXTENSION PIPE	規格 Specification
	150mm
	200mm
	300mm