

穩定的動力輸出，高效率的齒輪箱，  
鋒利的刀片，最佳的工作效率。

Stable Power Output , High Efficiency Gear Case ,  
Sharp Blade , Best Working Efficiency.



綠 籬 機  
Hedge Trimmer

## ■ 綠籬機 HEDGE TRIMMER

為了更精確的修剪清理作業，使用結合可靠品質且操作容易的可移動式動力工具是不可或缺的必備條件。HIACE綠籬機搭配高效率二行程動力引擎，及高品質的刀片以確保準確的裁剪，除了可保護植物的健康，還可保持完美的外觀呈現，HIACE的綠籬機搭配輕量化的設計、高功率、堅固耐用的結構，無論多堅硬或密集的籬笆，都能輕鬆作業。高品質的刀片和齒輪箱，不須費力就能達到長時間使用的穩定效率、及最大生產力。

For accurate trimming and a clean cut it is essential to employ reliable machines that combine power with manoeuvrability and ease of use. HIACE hedge trimmers feature high-performance 2-stroke engine and top-quality blades that ensure a clean cut, indispensable for an aesthetically-pleasing result and protection of plant health. With user comfort always foremost in its thoughts, HIACE has equipped its hedge trimmers with light-weight, powerful, and robust: just what you need to confidently tackle all types of hedge, no matter how tough or dense. Featuring high-quality blades and gearboxes to guarantee consistent long-term efficiency, maximum productivity and minimum effort.



※高壓線圈搭配限速裝置，機械輸出可確保引擎於所有速度時，都有穩定的效能。點火裝置有助於啟動及更低的油耗。

Ignition Coil with speed limiter, mechanical output remains constant at any engine speed. Ignition advance facilitates starting and favors low fuel consumption.

※高密度不織布濾棉減少髒污或粉塵進入汽缸，有效增加引擎壽命。

High density Non-Woven Cloth Air Filter prevents the dirt or dust from being entered into the cylinder, to guarantee longer engine life.

※專業等級鋁製齒輪箱，結合齒軸、齒輪、滾珠軸承及連桿，增加使用壽命、低噪音，提供最低微的震動。

Professional grade Aluminum gear case, drive linkage with pinion carried in ball bearings and rods with rollers, combining to guarantee long life, low noise and minimal vibration.

※齒輪箱可輕易添加潤滑油以延長使用壽命

Grease-able gear case for easy maintenance and durable life.

※鋼製高品質刀片適用任何操作環境，即便是最堅硬或最密集的籬笆。

High quality steel blades guarantee optimum results even on the thickest and toughest hedges. Adjustable, so as to adapt to any operating situation.

※雷射切割、上下往復式刀刃，提供耐用持久的銳利性能，確保乾淨及精準的裁剪，不會傷害到植被，配備調整系統可適用於各種枝葉。

Laser-cut, double-reciprocating blades for long-lasting sharpness ensure a cleaning and precise cut that will not damage vegetation. Equipped with adjustment system for adaptability to any type of foliage.

※綠籬機握把避震器能有效減少從握把傳遞給操作者的振動。

Hedge Trimmer handle damper minimizes the vibrations from the handle to operator.

※雙刃刀片機型配備專用加油把手，操作舒適，適用各種作業環境，即便是圍牆周圍。

Double-Edged blade model with special design throttle lever, maximum convenience in any operating position, even close to walls.

## ■ 綠籬機 HEDGE TRIMMER

### HT-750S SINGLE-BLADE HEDGE TRIMMER



HT-750S-TH23VL

|        |                    |   |
|--------|--------------------|---|
| 型號     | Model              | HT-750S-TH23VL                                      |
| 排氣量/功率 | Displacement/Power | 22.5 c.c. / 1.4HP                                   |
| 刀片形式   | Blade Type         | Single-edged, Double-reciprocating Blade<br>單刃往復式刀片 |
| 刀片長度   | Blade Length       | 30Inch / 750MM                                      |
| 刀片齒距   | Blade Pitch        | 35MM  |
| 油箱容量   | Fuel Tank Capacity | 0.5公升 / Liter                                       |

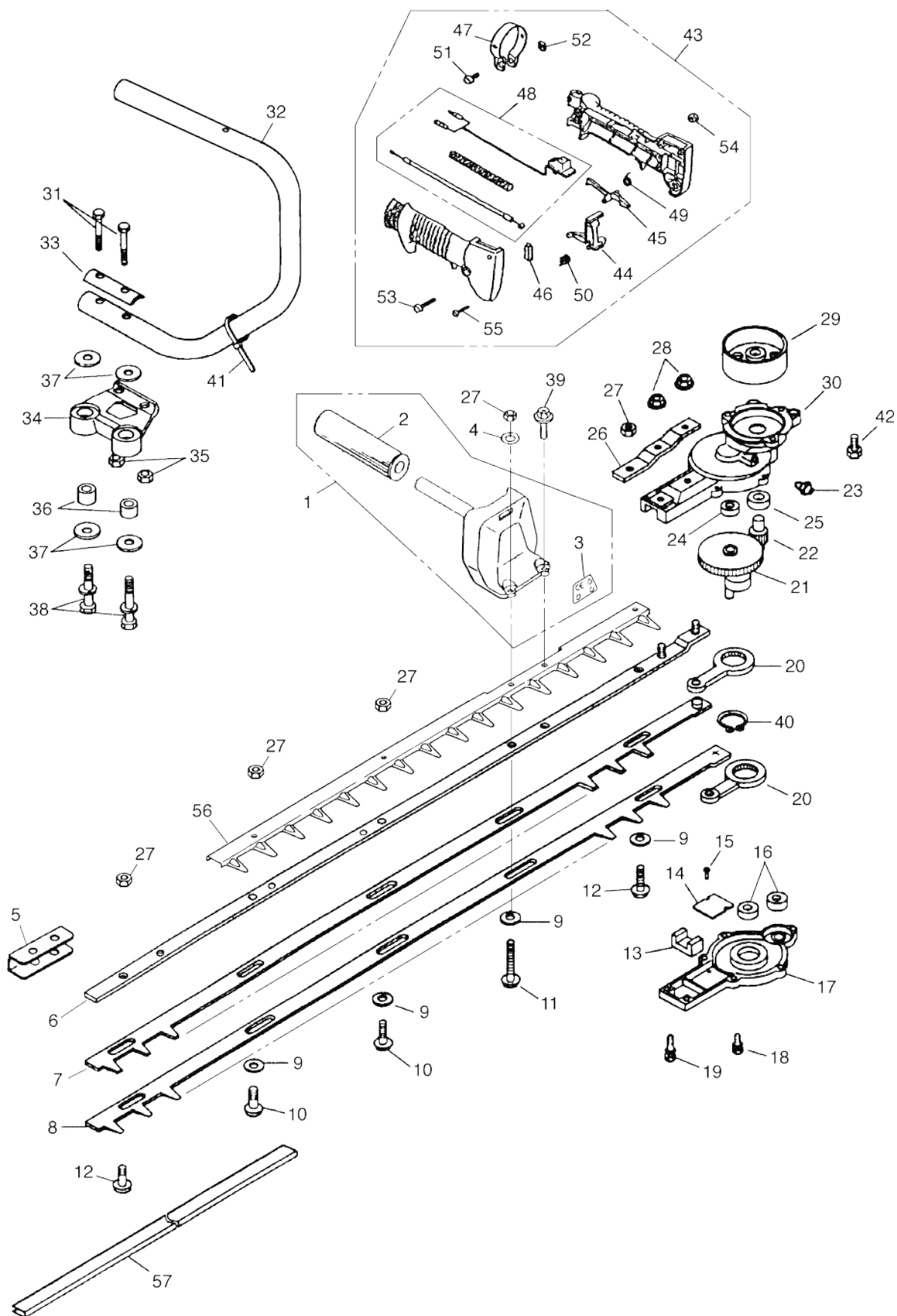
### HT-600D DOUBLE-BLADE HEDGE TRIMMER



HT-600D-TH23VL

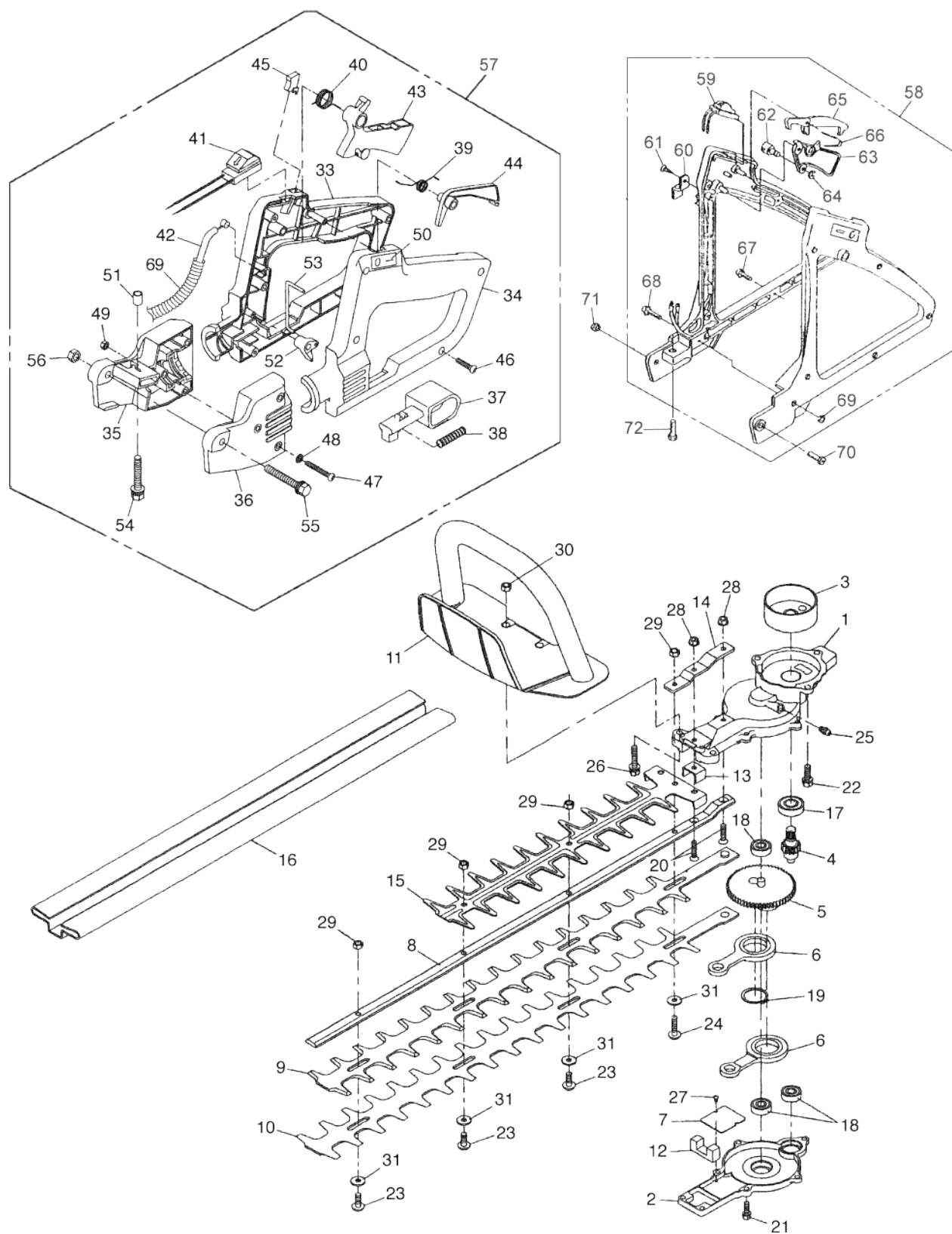
|        |                    |   |
|--------|--------------------|---|
| 引擎型號   | Model              | HT-600D-TH23VL                                      |
| 排氣量/功率 | Displacement/Power | 22.5 c.c. / 1.4HP                                   |
| 刀片形式   | Blade Type         | Double-edged, Double-reciprocating Blade<br>雙刃往復式刀片 |
| 刀片長度   | Blade Length       | 24Inch / 600MM                                      |
| 刀片齒距   | Blade Pitch        | 35MM  |
| 油箱容量   | Fuel Tank Capacity | 0.5公升 / Liter                                       |

# ■ 綠籬機分解圖 PART LIST OF HEDGE TRIMMER

**HT-750S**


# ■ 綠籬機分解圖 PART LIST OF HEDGE TRIMMER

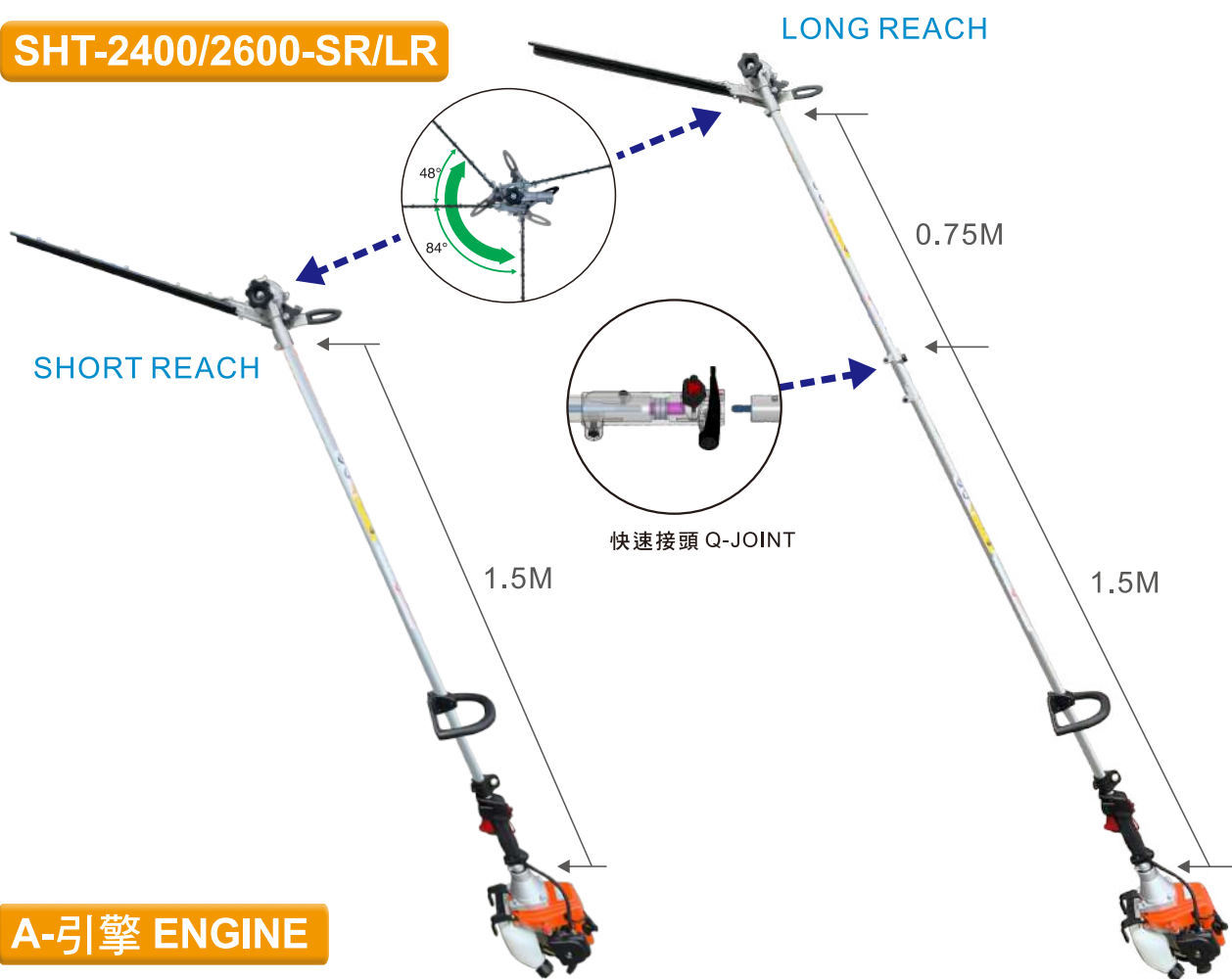
**HT-600D**





## ■ 高枝綠籬機 SHAFTED HEDGE TRIMMER

SHT-2400/2600-SR/LR



A-引擎 ENGINE



POWERED by  
**HONDA**™

|        |                       |                      |                   |                   |                 |                   |
|--------|-----------------------|----------------------|-------------------|-------------------|-----------------|-------------------|
| 操作桿型號  | Shaft model no.       | SHT-2400-SR          | SHT-2600-SR       | SHT-2600-LR       |                 |                   |
| 操作桿規格  | Shaft Specification   | 24mm*7mm*7T          | 26mm*7mm*7T       |                   |                 |                   |
| 操作桿長度  | Displacement/Power    | 1.5M                 |                   | 1.5M+0.75M        |                 |                   |
| 齒輪箱型號  | Fitting Engine        | OCHIAI 落合 EH-15      |                   |                   |                 |                   |
| 可調整角度  | Adjustable Angle      | Upper 48° ,Lower 84° |                   |                   |                 |                   |
| 刀片長度   | Blade Length          | 536mm                |                   |                   |                 |                   |
| 刀片齒距   | Blade Pitch           | 35mm                 |                   |                   |                 |                   |
| 可搭配引擎  | Gear case ass'y model | HF-26LT              | HT-328LT          | TB-33L            | GX-25           | GX-35             |
| 排氣量/功率 | Shaft length          | 25.4 c.c. / 0.87kw   | 30.5 c.c. / 1.7HP | 32.6 c.c. / 1.7HP | 25 c.c. / 1.0HP | 35.8 c.c. / 1.4HP |
| 油箱容量   | Fuel Tank Cap.        | 0.87 公升 / Liter      | 1 公升 / Liter      | 1公升 / Liter       | 0.58 公升 / Liter | 0.63 公升 / Liter   |
| 機油箱容量  | Oil Tank Capacity     |                      |                   |                   | 0.08 公升 / Liter | 0.1 公升 / Liter    |