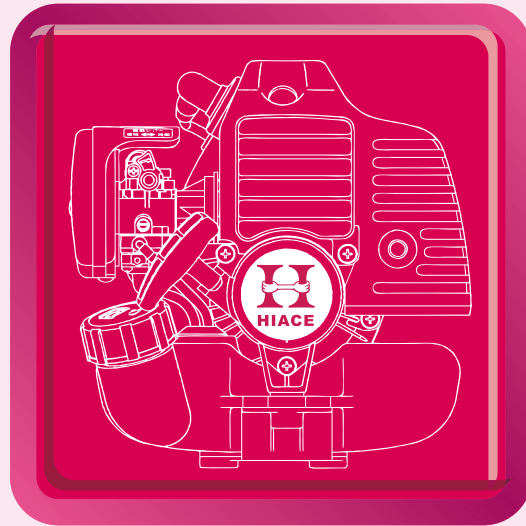


鋼製曲軸，雙活塞環活塞，

鍍鉻汽缸，完美的組合。

Steel Crankshaft, Piston with Two Rings,
Chrome coating Cylinder, Perfect Combination.

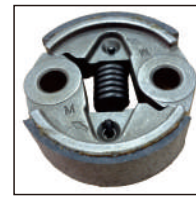
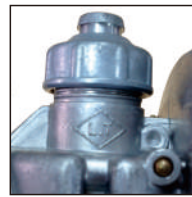
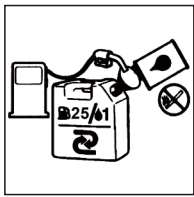
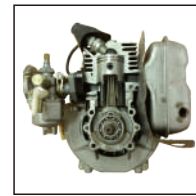


動力引擎
Power Engine

■ 動力引擎 POWER ENGINE

通用引擎，動力的來源。HIACE動力引擎，鋼製曲軸，有效減少引擎震動的設計讓您有最舒適的工作體驗；雙活塞環配置的活塞，給您最穩定的動力輸出；先進鍍鉻技術的汽缸，讓您幾乎不需擔心汽缸磨損而造成動力損失；HIACE自有品牌L. T. 化油器，可因應您的需求、各國汽油及環境差異，調配最適合的油量，給您全時全效的動力發揮，無論是割草機、抽水機、背負式噴霧機、綠籬機或是地鑽，HIACE十大系列引擎提供您最佳的選擇。

Genuine engine, a power source. HIACE Power Engines include steel crankshaft with the design to reduce vibration and give you the most comfortable working experience; and with the piston with 2piston rings offer you stable power output; the cylinder with advanced chrome coating technology let you not to worry about the wear of cylinder then cause power losing; L.T. Brand Carburetors which produce by HIACE, can adjust fuel delivery according to the gasoline quality in different countries and environments to meet optimal engine efficiency. HIACE 10 series engines offer you the best solution for brush cutter, water pump, knapsack power sprayer, hedge trimmer, and earth auger.



※鋼製曲軸和搭配雙活塞環的活塞，有效延長使用壽命。

Steel crankshaft and piston with two rings guarantee prolonged service life.

※足夠的硬鉻鍍層提供幾乎不磨損的汽缸，持續提供充足的動力。

Enough Chrome Coating thickness of Cylinder ensures the excellent abrasion resistance, and keeps offering sufficient power.

※引擎形式：二行程，單汽缸，氣冷，汽油引擎。

Engine Type: 2-Stroke, Single Cylinder, Air-Cooled, Gasoline Engine.

※燃油配比：汽油和二行程機油混合比25:1〈JASO FC級或ISO EGC級〉。

Fuel Mixture (Gasoline): Mixed Fuel of Gasoline and 2-Stroke oil at 25:1.
(JASO FC Class or ISO EGC Class)

※點火系統：電子CDI式。

Ignition System: Electronic CDI Type.

※HIACE製造L. T. 品牌化油器，可因應各國汽油及環境差異調配油量，以期全力發揮引擎效能。

L.T. Brand Carburetors which are produced by HIACE, can adjust fuel delivery according to the gasoline quality in different countries and environments to meet optimal engine efficiency.

※離合器片以燒結材質製成，有效抗壓和延長耐久性。

Centrifugal clutch with shoes of sintered material ensuring resistance to stress and long-term durability.

■ 動力引擎 POWER ENGINE

TH-23VL



引擎型號	Engine Model	TH-23VL
缸徑/行程	Cylinder Dia./Stroke	Φ 32mm / 28mm
排氣量/功率	Displacement/Power	22.5 c.c. / 1.4HP
化油器形式	Carburetor Type	膜片式 Diaphragm Type
油箱容量	Fuel Tank Cap.	0.5公升 / Liter

HT-328/358



引擎型號	Engine Model	HT-328	HT-328W	HT-358	HT-358W
缸徑/行程	Cylinder Dia./Stroke	Φ 36mm / 30mm		Φ 38mm / 30mm	
排氣量/功率	Displacement/Power	30.5 c.c. / 1.7HP		34 c.c. / 1.9HP	
化油器形式	Carburetor Type	浮筒式 Float Type			
油箱容量	Fuel Tank Cap.	None			

HT-328L/358L



引擎型號	Engine Model	HT-328L	HT-328LT	HT-358LT
缸徑/行程	Cylinder Dia./Stroke	Φ 36mm / 30mm		Φ 38mm / 30mm
排氣量/功率	Displacement/Power	30.5 c.c. / 1.7HP		34 c.c. / 1.9HP
化油器形式	Carburetor Type	膜片式 Diaphragm Type		
油箱容量	Fuel Tank Cap.	None	1公升 / Liter	

■ 動力引擎 POWER ENGINE

HF-26 Series



引擎型號	Engine Model	HF-26L	HF-26LT
缸徑/行程	Cylinder Dia./Stroke	Φ34mm / 28mm	
排氣量/功率	Displacement/Power	25.4 c.c. / 0.87kw	
化油器形式	Carburetor Type	膜片式 Diaphragm Type	
油箱容量	Fuel Tank Cap.	None	0.87 公升 / Liter

TB-33/43



引擎型號	Engine Model	TB-33	TB-43	TB-43W
缸徑/行程	Cylinder Dia./Stroke	Φ36mm / 32mm	Φ40mm / 34mm	
排氣量/功率	Displacement/Power	32.6 c.c. / 1.7HP	42.7 c.c. / 2.1HP	
化油器形式	Carburetor Type	浮筒式 Float Type		
油箱容量	Fuel Tank Cap.	None		

TB-33L/43L/52L



引擎型號	Engine Model	TB-33LT	TB-33WLT	TB-43LT	TB-43WLT	TB-52LT	TB-52WLT
缸徑/行程	Cylinder Dia./Stroke	Φ36mm / 32mm	Φ40mm / 34mm		Φ44mm / 34mm		
排氣量/功率	Displacement/Power	32.6 c.c. / 1.7HP	42.7 c.c. / 2.1HP		51.7 c.c. / 2.3HP		
化油器形式	Carburetor Type	膜片式 Diaphragm Type					
油箱容量	Fuel Tank Cap.	1公升 / Liter					

■ 動力引擎 POWER ENGINE

G-35/45



引擎型號	Engine Model	G-35	G-45
缸徑/行程	Cylinder Dia./Stroke	Φ36mm / 32mm	Φ40mm / 32mm
排氣量/功率	Displacement/Power	32.6 c.c. / 1.7HP	41.5 c.c. / 2.2HP
化油器形式	Carburetor Type	浮筒式 Float Type	
油箱容量	Fuel Tank Cap.	None	

G-35L/45L



引擎型號	Engine Model	G-35L	G-45L
缸徑/行程	Cylinder Dia./Stroke	Φ36mm / 32mm	Φ40mm / 32mm
排氣量/功率	Displacement/Power	32.6 c.c. / 1.7HP	41.5 c.c. / 2.2HP
化油器形式	Carburetor Type	浮筒式 Float Type	
油箱容量	Fuel Tank Cap.	0.8公升 / Liter	

G-4LS



引擎型號	Engine Model	G-4LS
缸徑/行程	Cylinder Dia./Stroke	Φ40mm / 32mm
排氣量/功率	Displacement/Power	41.5 c.c. / 2.2HP
化油器形式	Carburetor Type	膜片式 Diaphragm Type
油箱容量	Fuel Tank Cap.	1 公升 / Liter

■ 動力引擎 POWER ENGINE

NB-411



引擎型號	Engine Model	NB-411
缸徑/行程	Cylinder Dia./Stroke	Φ40mm / 32mm
排氣量/功率	Displacement/Power	40.2 c.c. / 2.0HP
化油器形式	Carburetor Type	浮筒式 Float Type
油箱容量	Fuel Tank Cap.	0.8公升 / Liter

EC-04



引擎型號	Engine Model	EC-04	EC-04C	EC-04CW10	EC-04CW25
缸徑/行程	Cylinder Dia./Stroke	Φ40mm / 32mm			
排氣量/功率	Displacement/Power	40.2 c.c. / 2.0HP			
化油器形式	Carburetor Type	浮筒式 Float Type	膜片式 Diaphragm Type		
油箱容量	Fuel Tank Cap.	0.88公升/Liter			

HT-200



引擎型號	Engine Model	HT-200
缸徑/行程	Cylinder Dia./Stroke	Φ39mm / 33mm
排氣量/功率	Displacement/Power	39.4 c.c. / 2.0HP
化油器形式	Carburetor Type	浮筒式 Float Type
油箱容量	Fuel Tank Cap.	0.7公升 / Liter

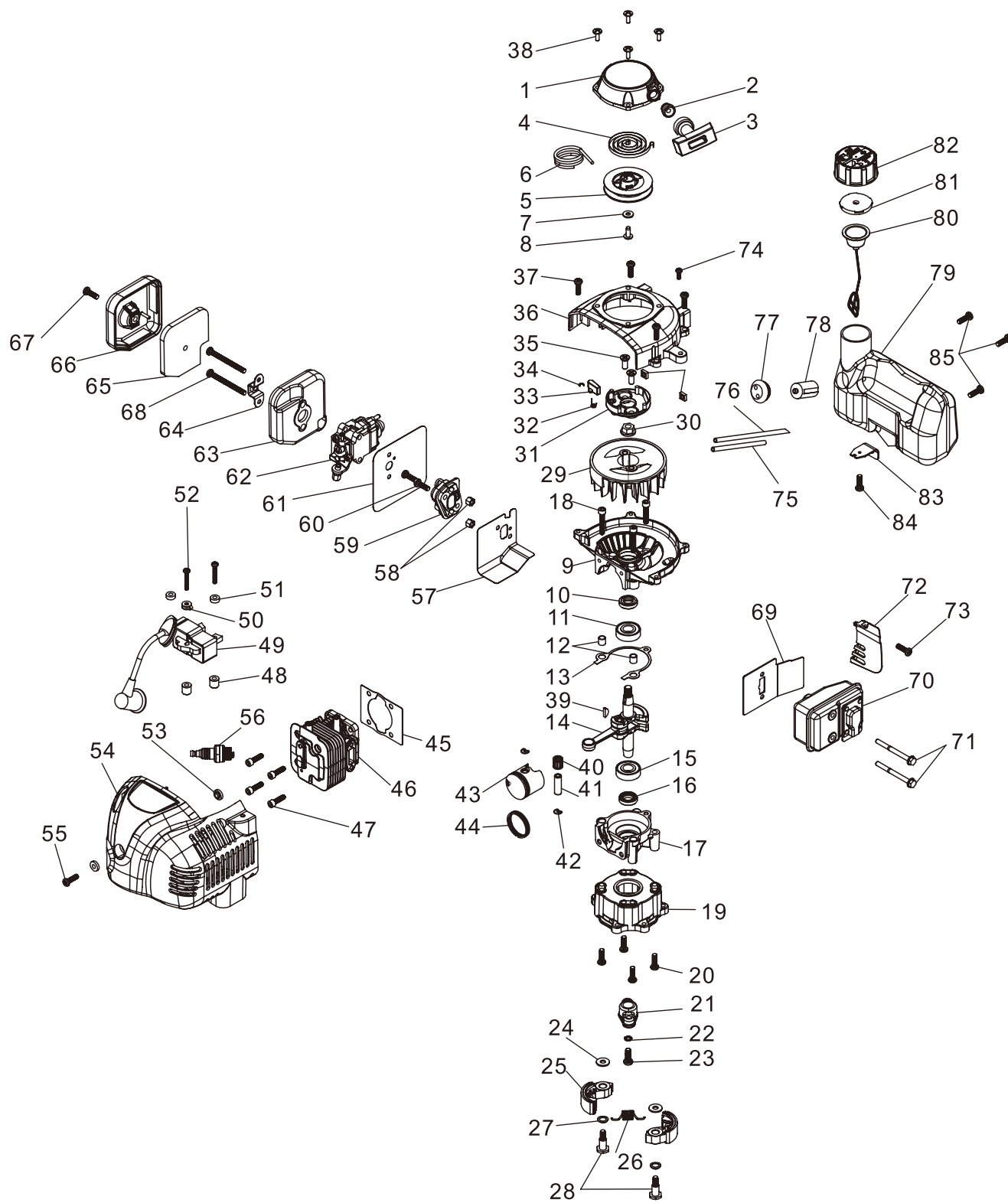
TD-40



引擎型號	Engine Model	TD-40
缸徑/行程	Cylinder Dia./Stroke	Φ40mm / 32mm
排氣量/功率	Displacement/Power	40.2 c.c. / 2.1HP
化油器形式	Carburetor Type	浮筒式 Float Type
油箱容量	Fuel Tank Cap.	1公升 / Liter

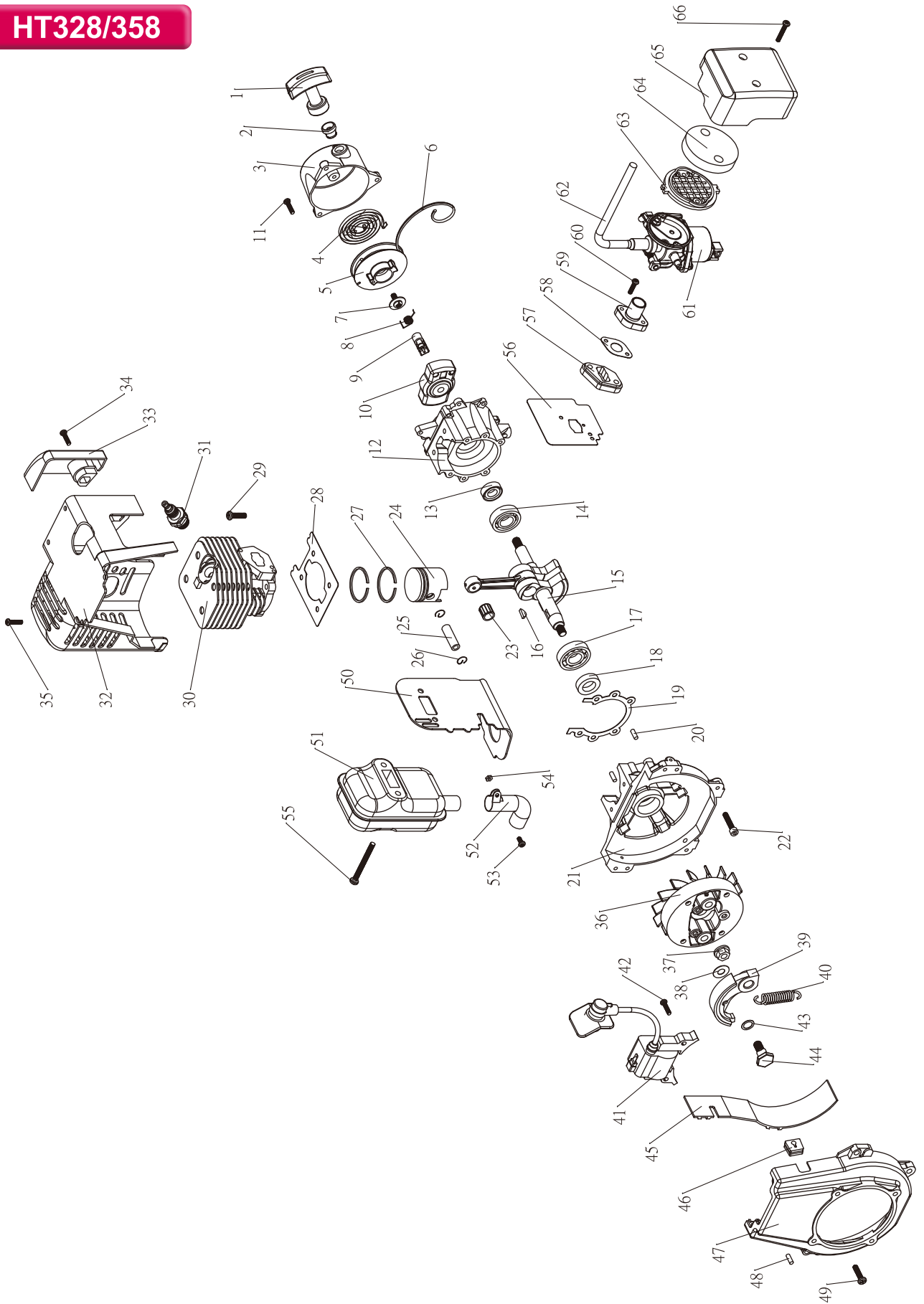
引擎分解圖 PART LIST OF POWER ENGINE

TH-23VL



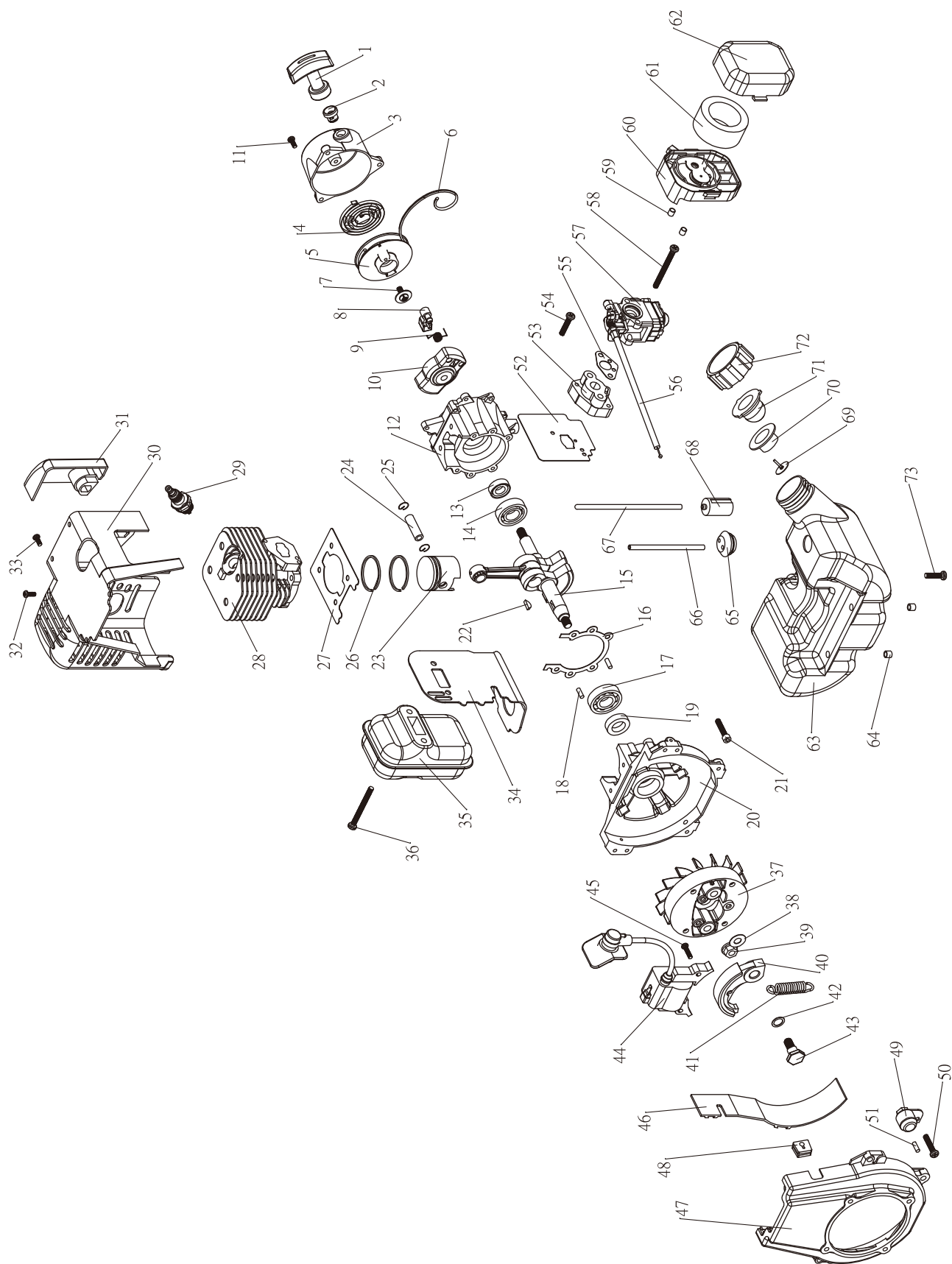
引擎分解圖 PART LIST OF POWER ENGINE

HT328/358



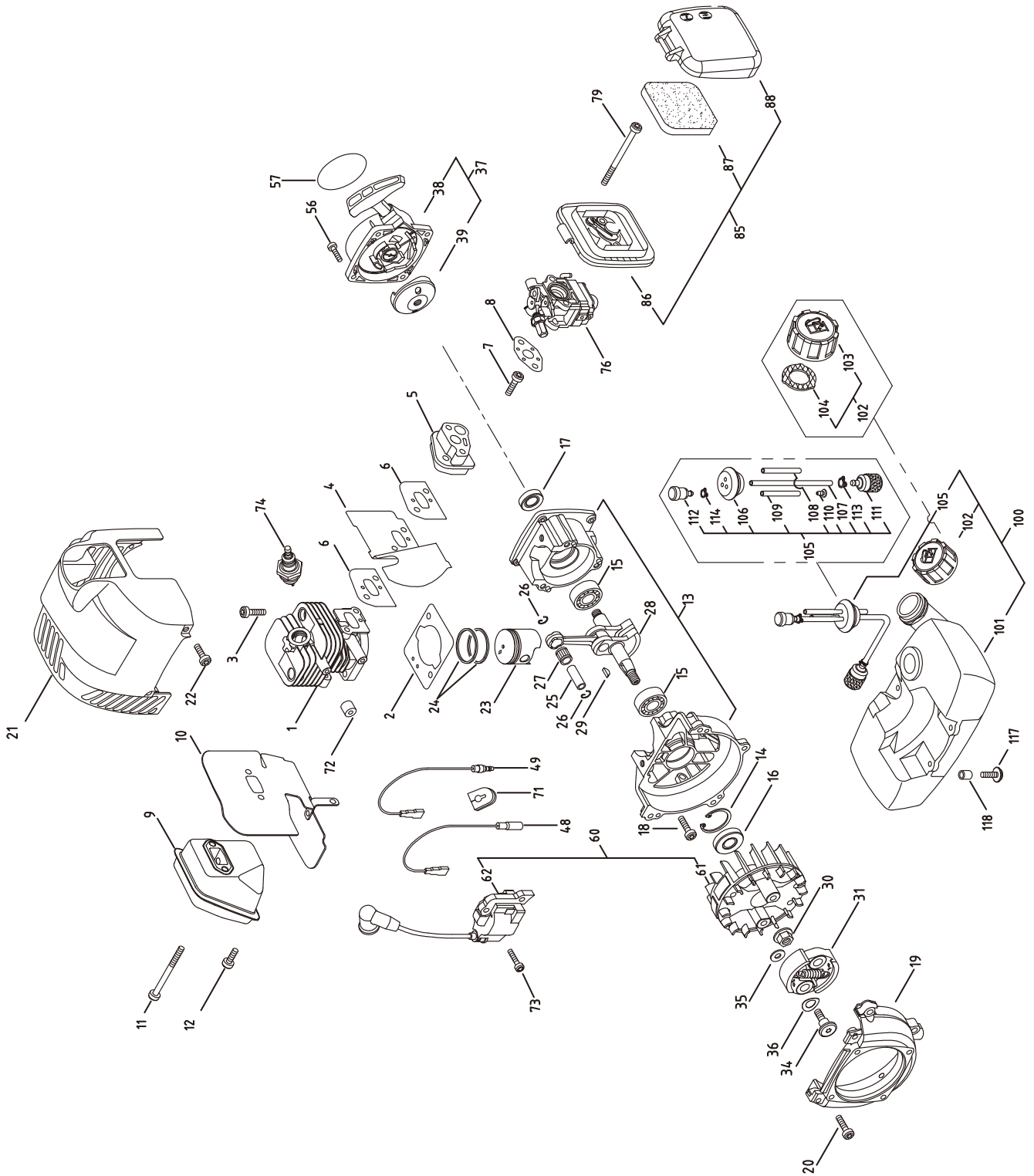
引擎分解圖 PART LIST OF POWER ENGINE

HT328L/358L



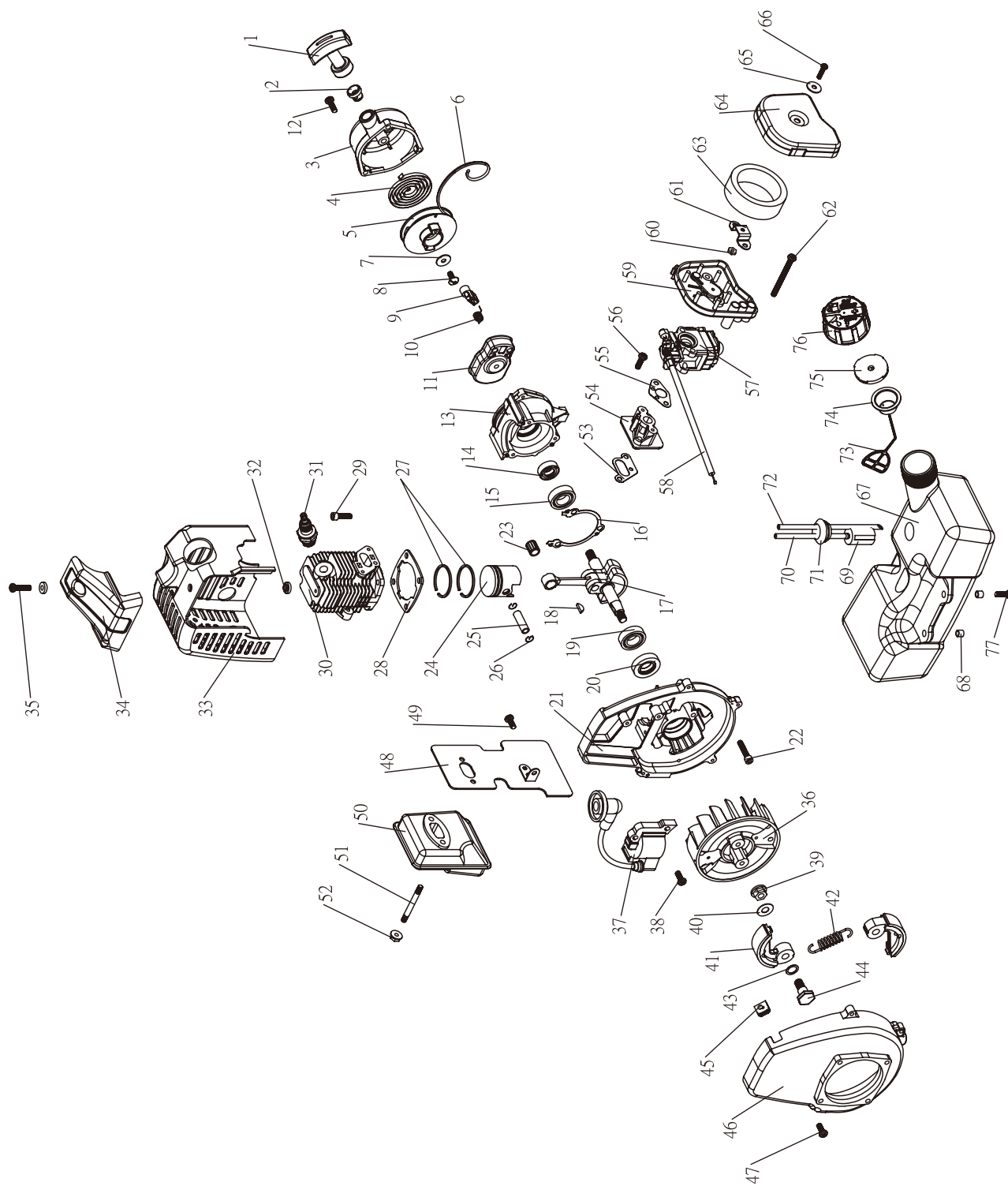
引擎分解圖 PART LIST OF POWER ENGINE

HF26L



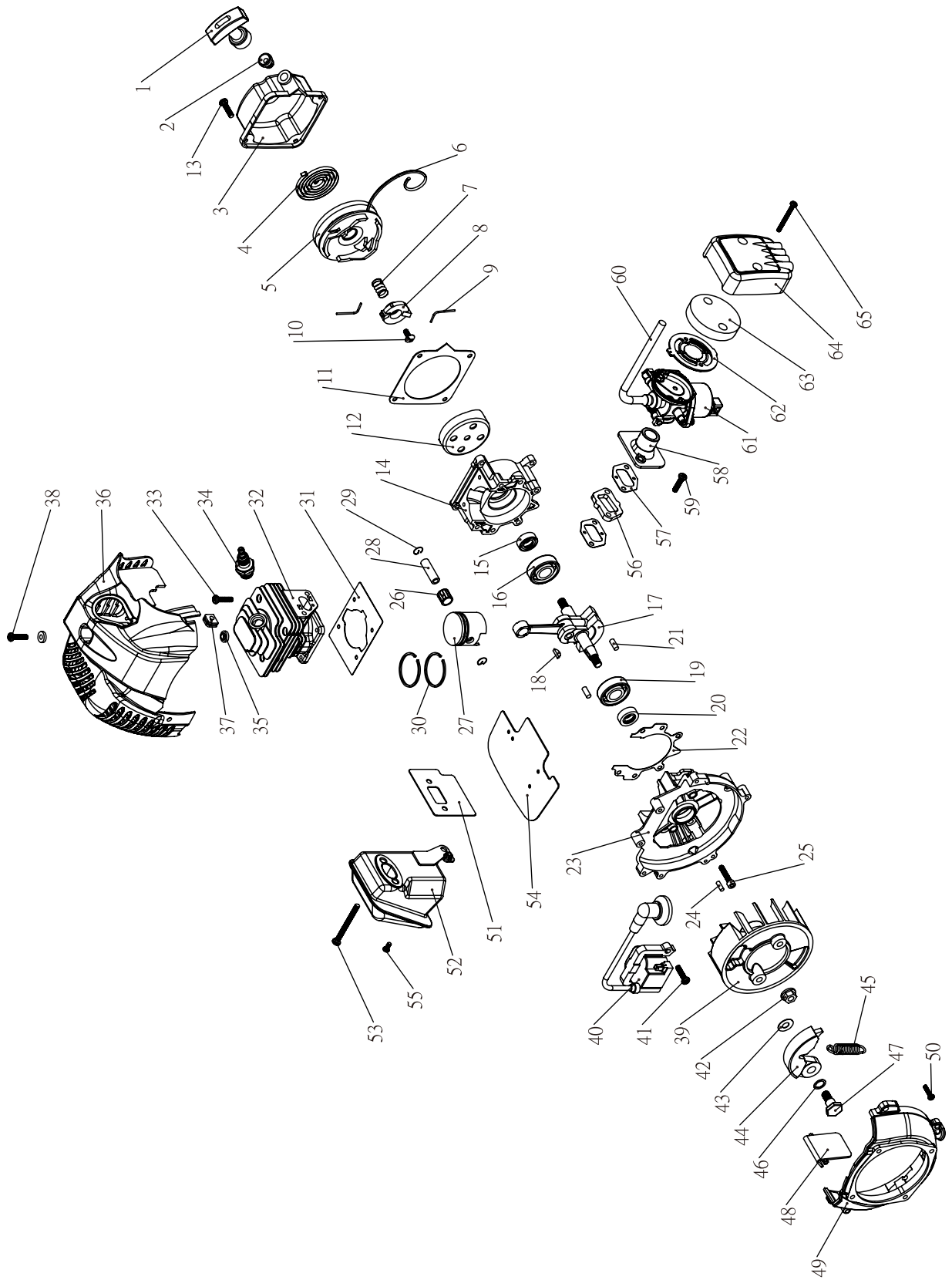
引擎分解圖 PART LIST OF POWER ENGINE

HU26L



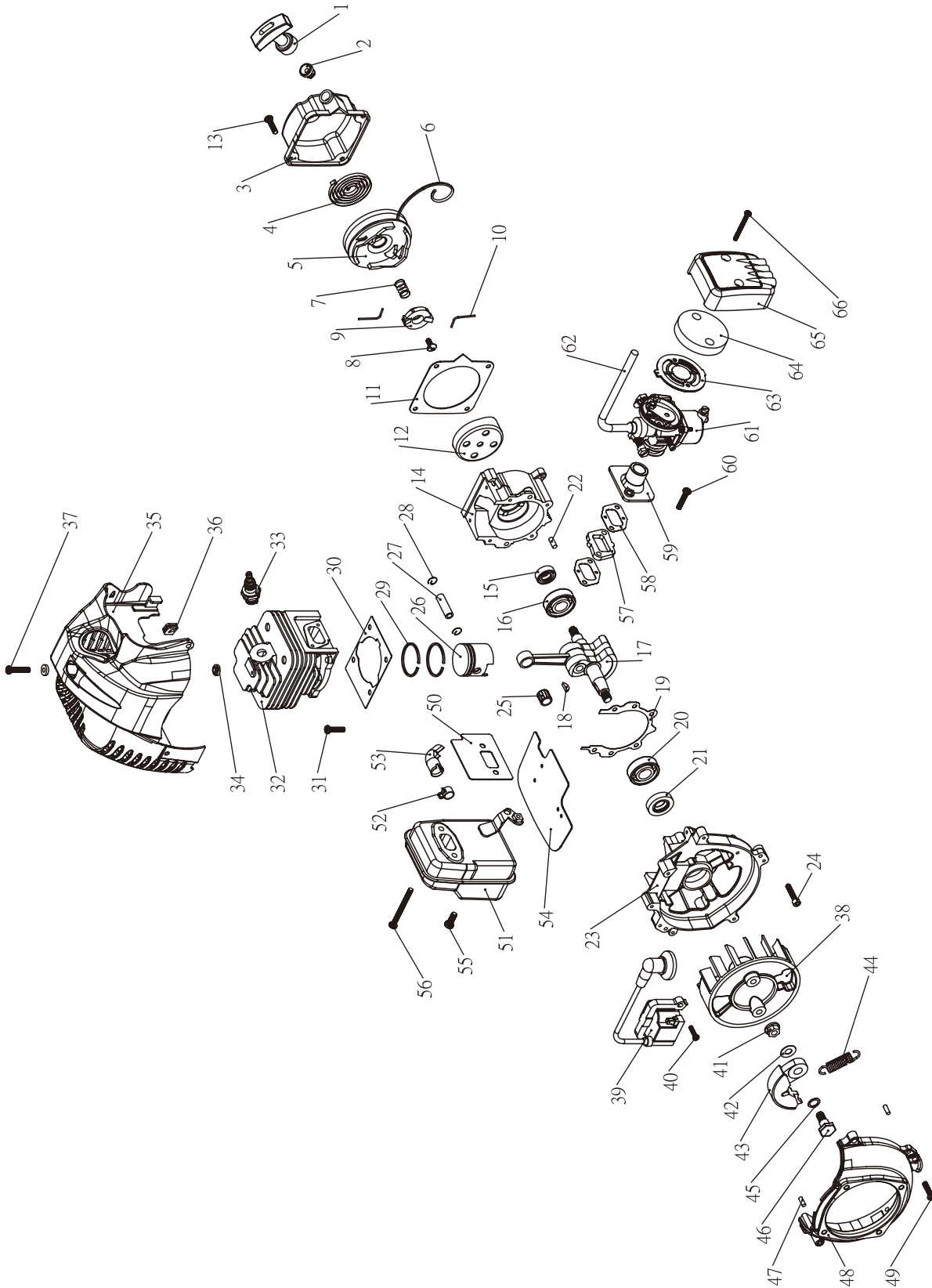
引擎分解圖 PART LIST OF POWER ENGINE

TB33



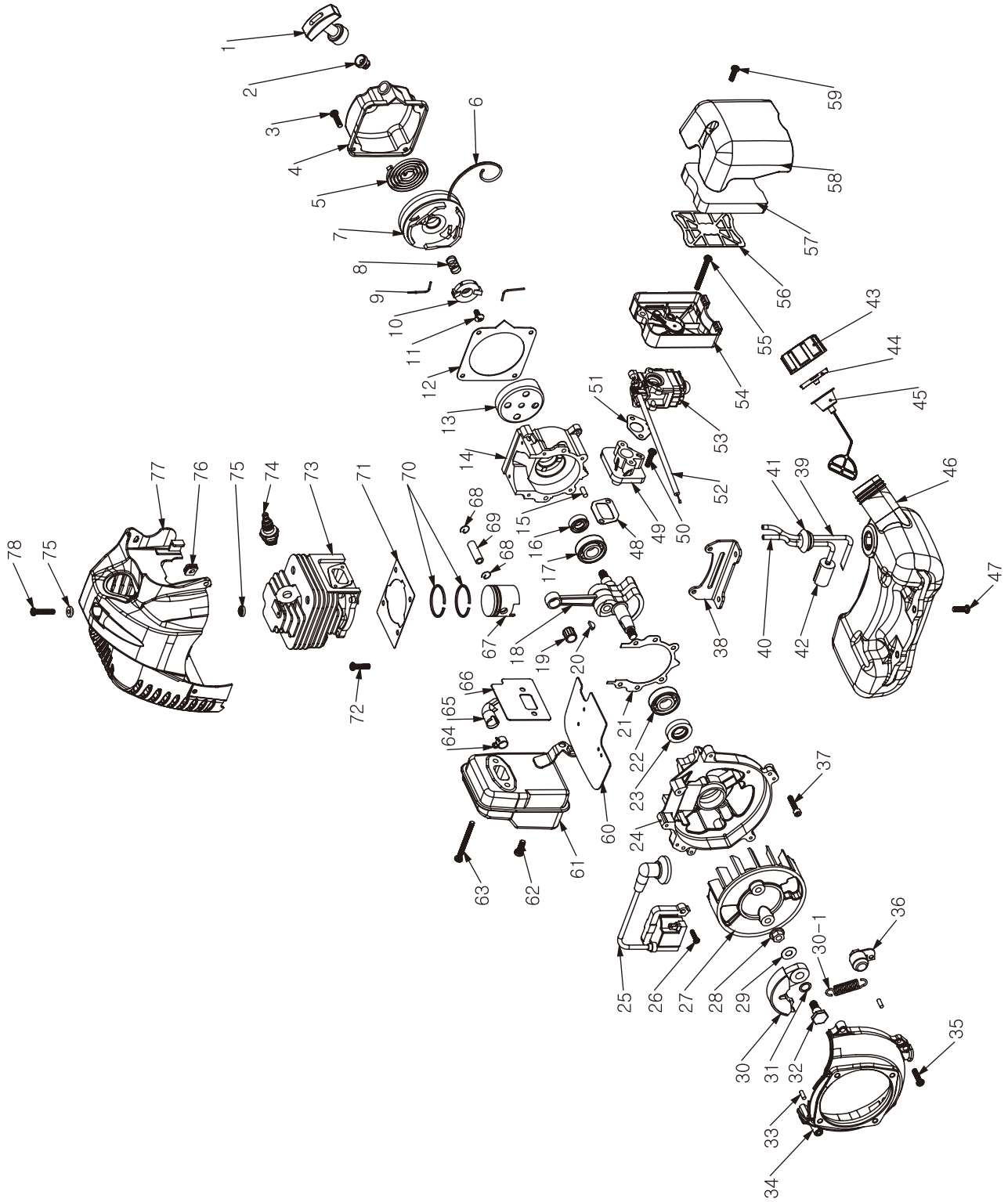
引擎分解圖 PART LIST OF POWER ENGINE

TB43



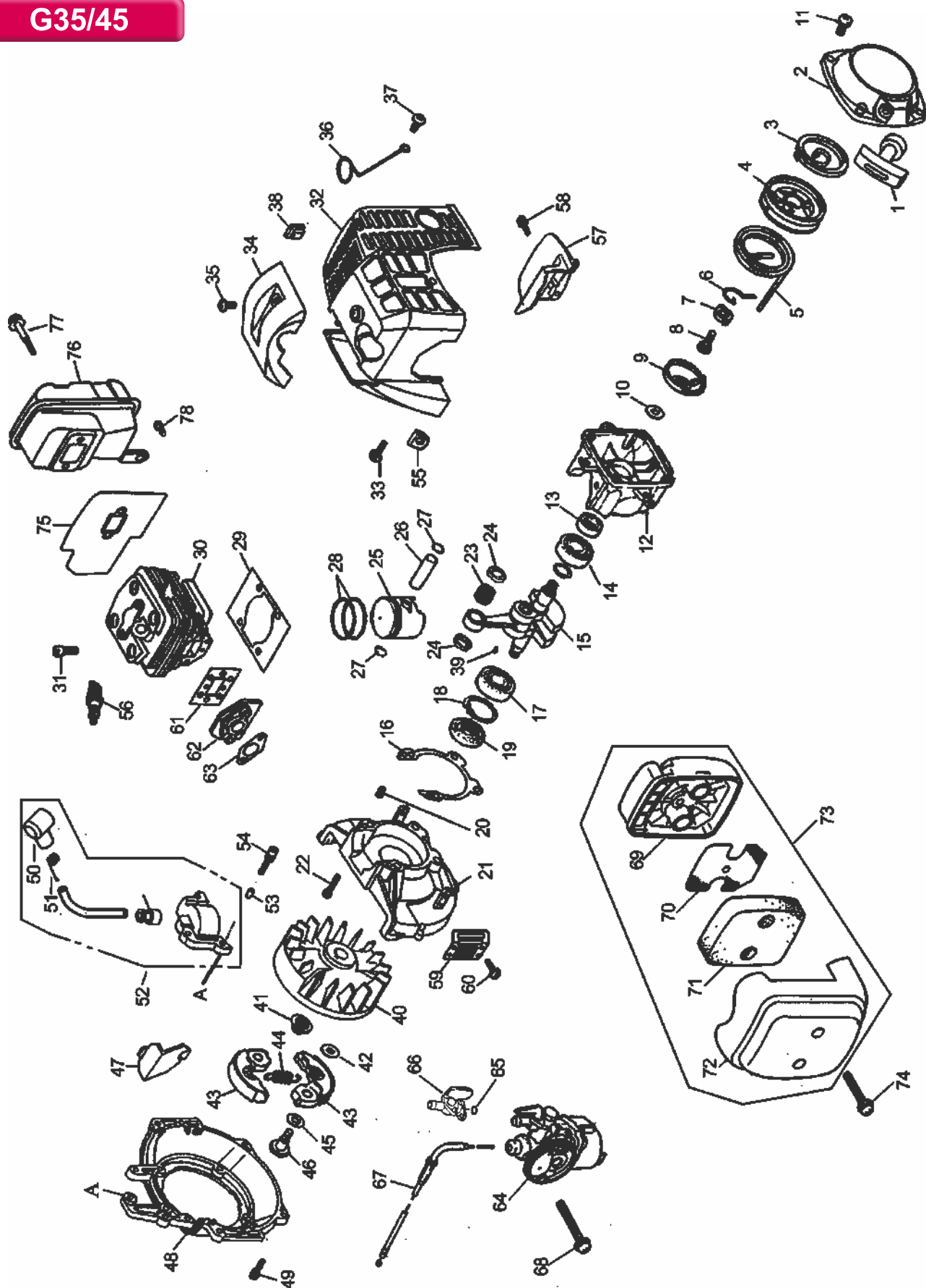
引擎分解圖 PART LIST OF POWER ENGINE

TB33L/43L/52L



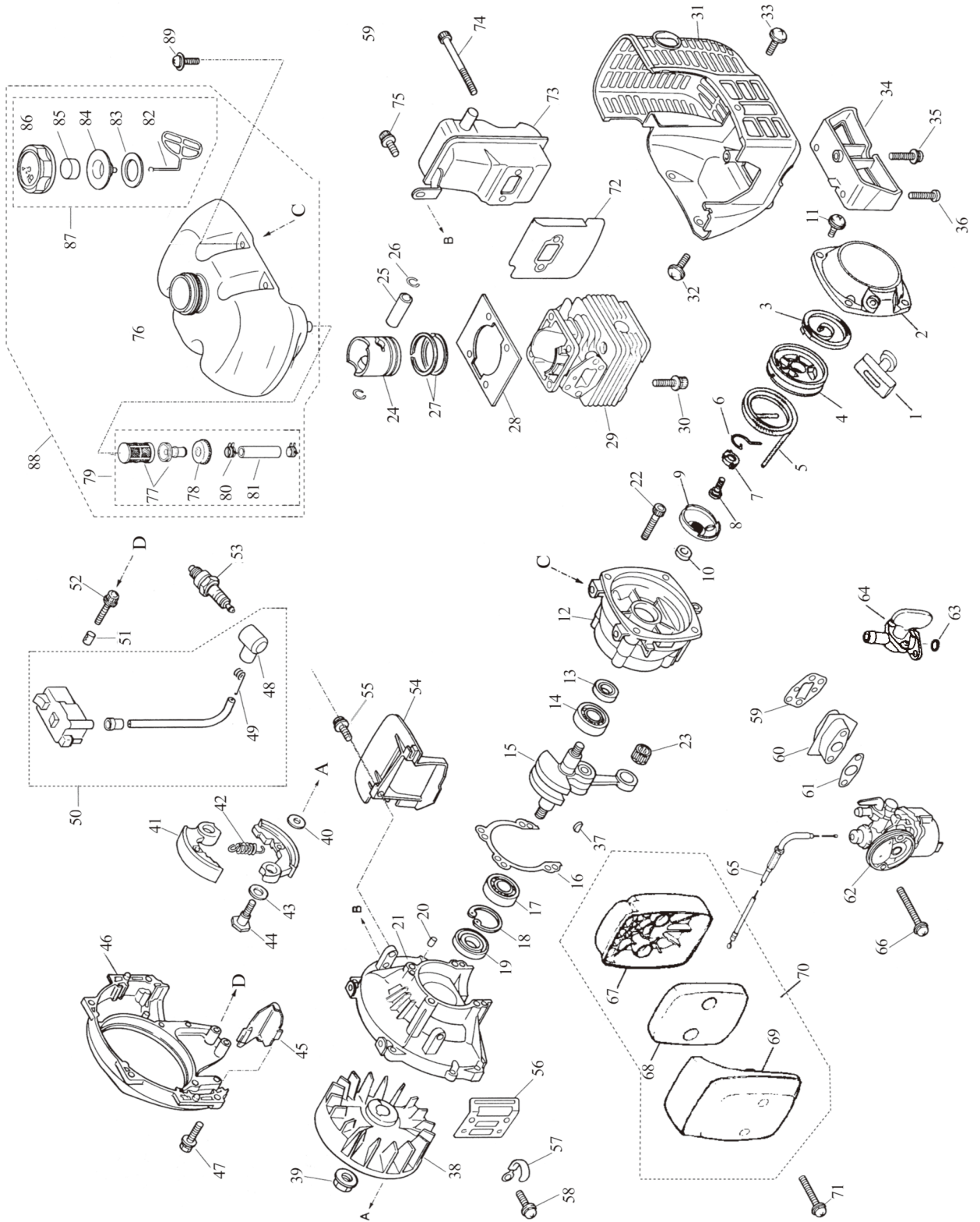
引擎分解圖 PART LIST OF POWER ENGINE

G35/45



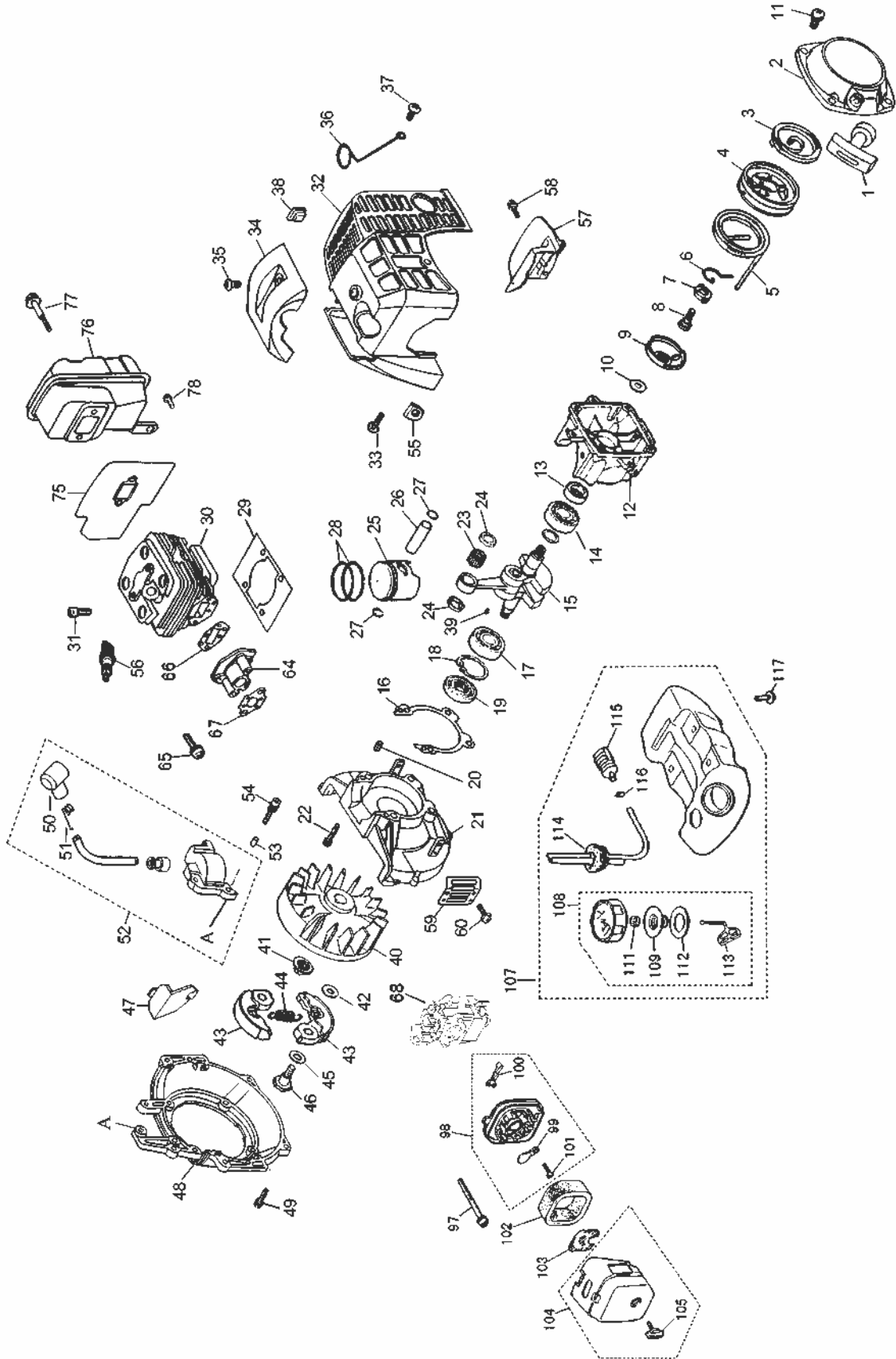
引擎分解圖 PART LIST OF POWER ENGINE

G35L/45L



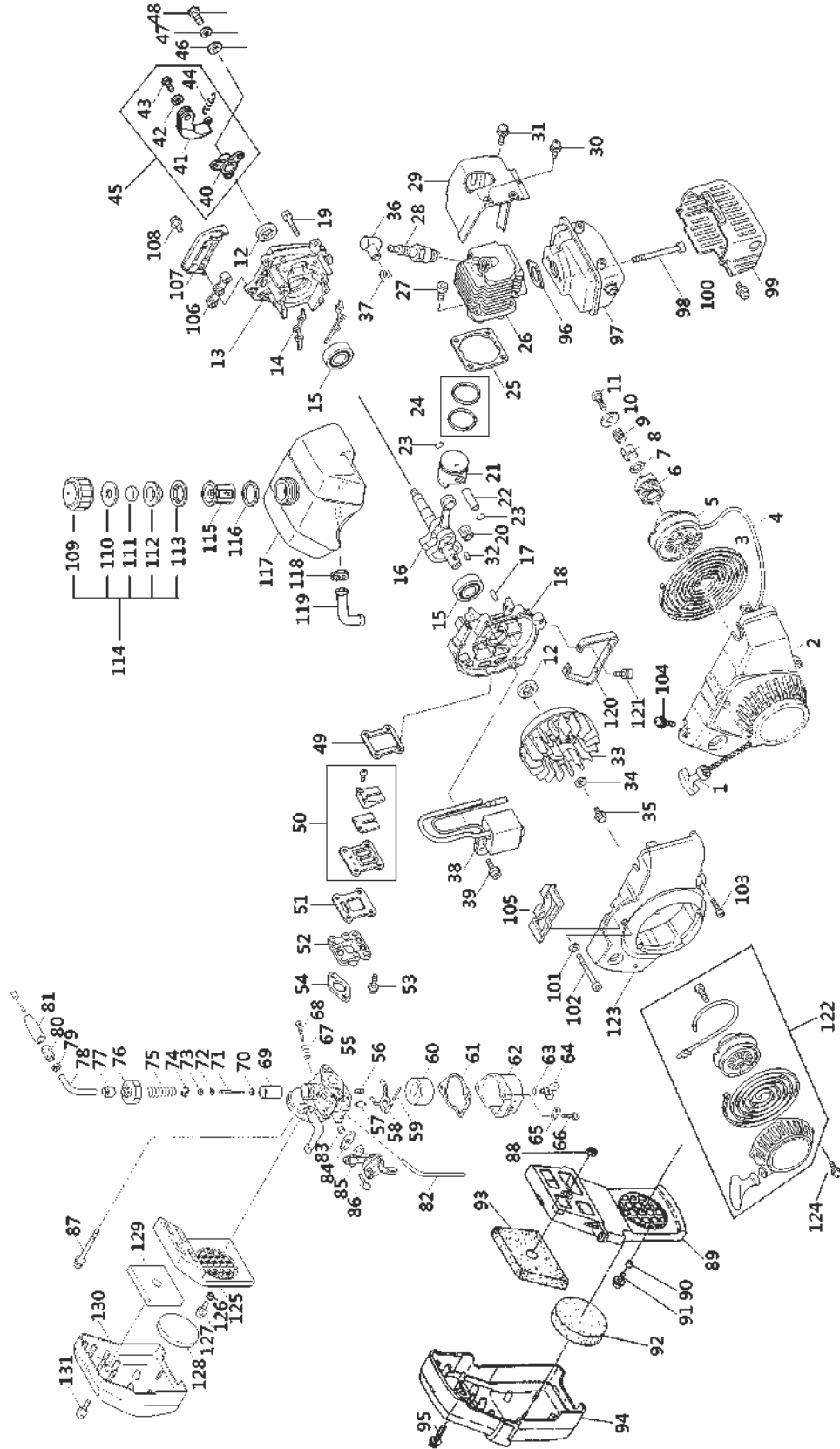
引擎分解圖 PART LIST OF POWER ENGINE

G-4LS



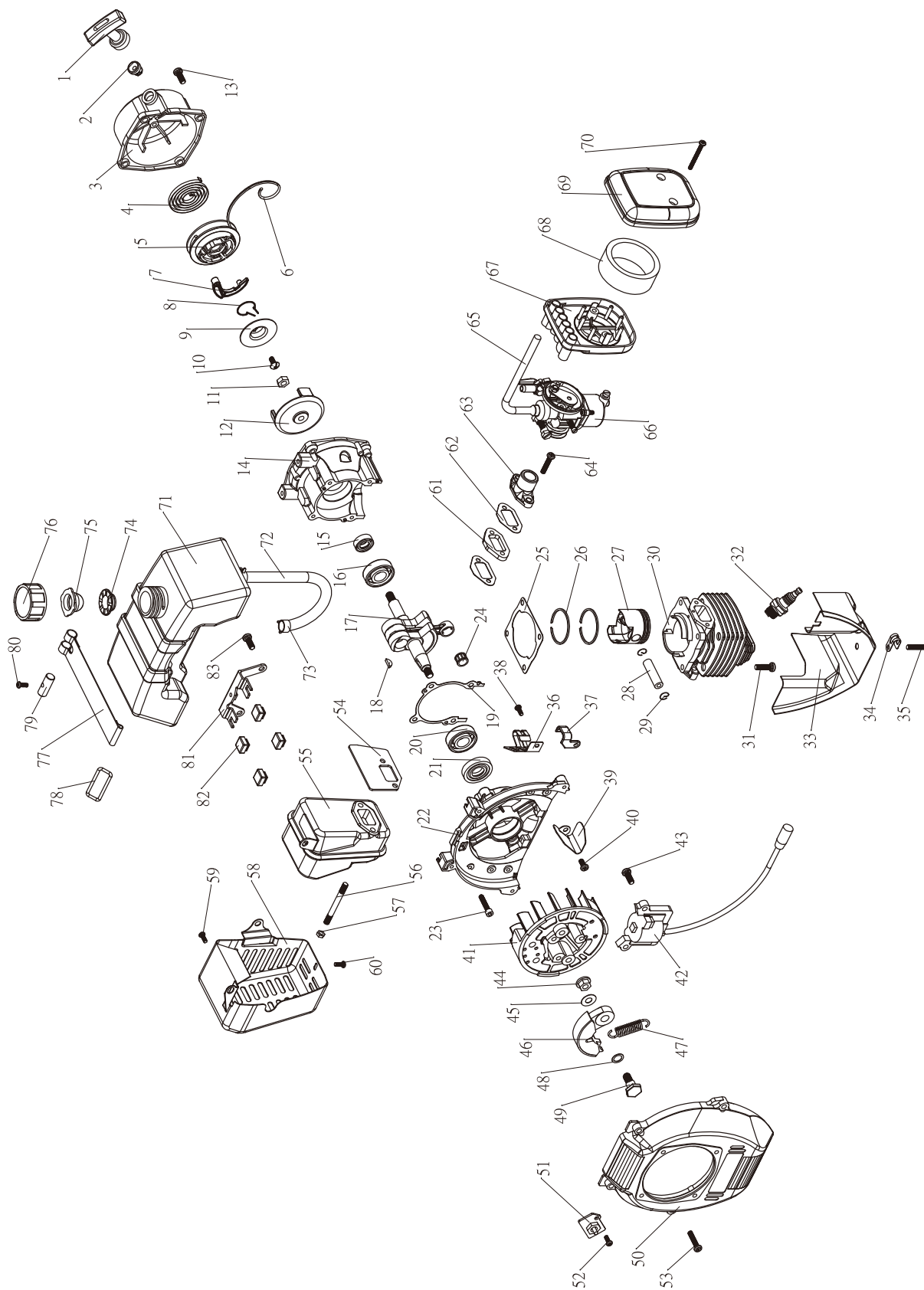
引擎分解圖 PART LIST OF POWER ENGINE

EC-04 / NB-411



引擎分解圖 PART LIST OF POWER ENGINE

HT-200



引擎分解圖 PART LIST OF POWER ENGINE

TD-40

